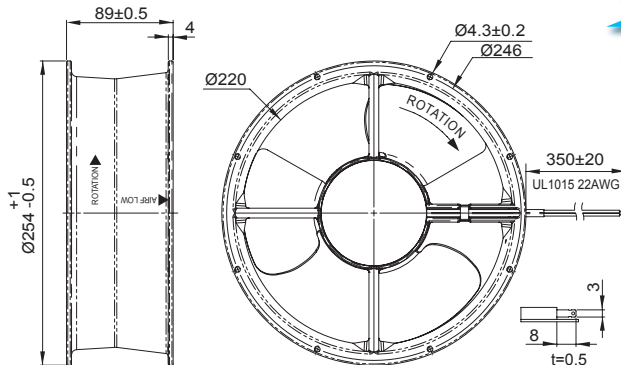
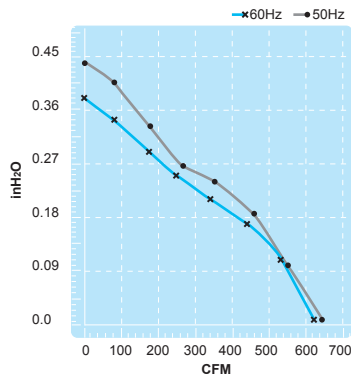


# UF25G(CM) Series

Size :  $\varnothing 254 \times 89$   
Unit : mm



## Terminal or Lead Wire Type

## Thermally-Protected



Spec. Model	Rated Voltage V	Frequency Hz	Input Power W	Rated Current A	Locked Current A	Speed RPM	Maximum Air Flow m <sup>3</sup> /min.	Maximum Air Flow CFM	Maximum Pressure mmH <sub>2</sub> O	Maximum Pressure InchH <sub>2</sub> O	Noise dB	Weight kg
UF25GCM11-H	115	50	53	0.46	0.61	2200	18.3	645	11.7	0.46	62	2.7
		60	67	0.58	0.63	2150	17.8	630	9.9	0.39	62	
UF25GCM23-H	230	50	53	0.23	0.30	2200	18.3	645	10.9	0.43	62	2.7
		60	67	0.29	0.31	2150	17.8	630	9.4	0.37	62	