

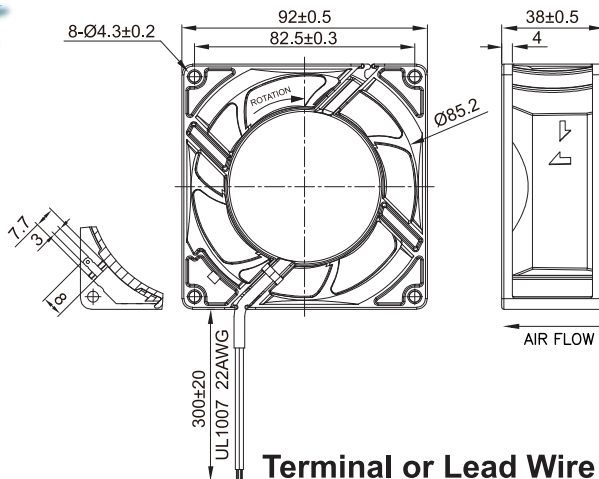
# UFT92ABPB Series

## EC FAN

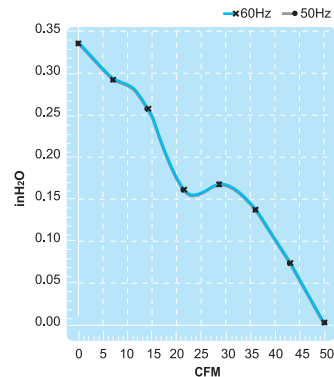
Size : 92 x 92 x 38  
Unit : mm



*New*



(Axial Fan)



**Electronically-Protected**

**Terminal or Lead Wire Type**

Tech & Time System Co.,Ltd.

Tel:0-2529-6344 Email:sales@tech-time.co.th



Spec.	Rated Voltage	Frequency	Input Power	Rated Current	Locked Current	Speed	Maximum Air Flow	Maximum Air Flow	Maximum Pressure	Maximum Pressure	Noise	Weight
Model	V	Hz	W	A	A	RPM	m <sup>3</sup> /min.	CFM	mmH <sub>2</sub> O	InchH <sub>2</sub> O	dB	kg
UFT92ABPB0AH1D4A	115~230	50/60	4.8 (115V) 5.2 (230V)	0.08 (115V) 0.05 (230V)	0.07 (115V) 0.05 (230V)	3850	1.4	50	8.4	0.33	43	0.225