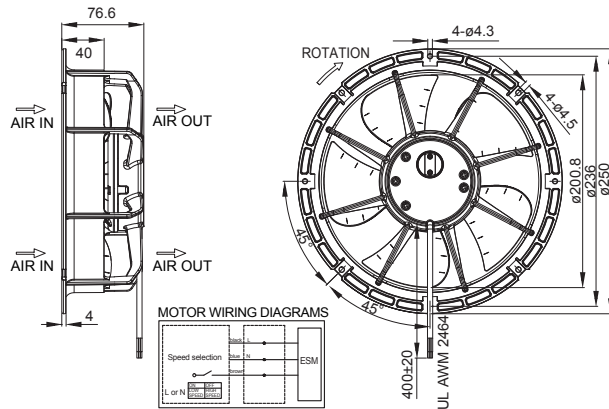
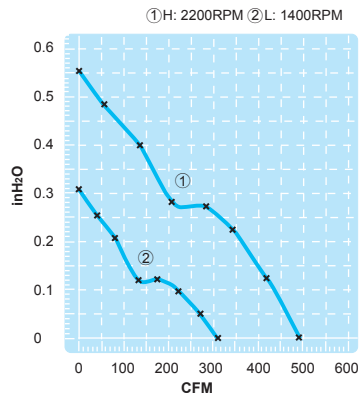


(Axial Fan)



Lead Wire Type

Electronically-Protected

Spec.	Rated Voltage	Frequency	Input Power	Rated Current	Locked Current	Speed	Maximum Air Flow	Maximum Air Flow	Maximum Pressure	Maximum Pressure	Noise	Weight
Model	V	Hz	W	A	A	RPM	m ³ /min.	CFM	mmH ₂ O	InchH ₂ O	dB	kg
UFT200BPB11H1D4A	115	50/60	26.0	0.40	0.10	2200	14.0	495	14.0	0.55	56	0.92
		50/60	8.1	0.13	0.10	1400	8.9	315	8.1	0.32	47	
UFT200BPB23H1D4A	230	50/60	27.0	0.24	0.20	2200	14.0	495	14.0	0.55	56	0.92
		50/60	8.5	0.08	0.20	1400	8.9	315	8.1	0.32	47	