

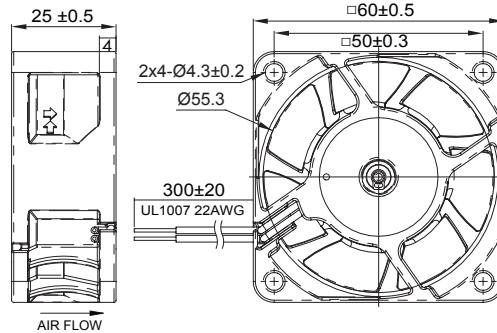
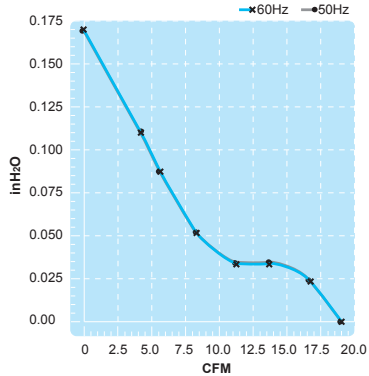
Tech & Time System Co.,Ltd.

Tel:0-2529-6344 Email:sales@tech-time.co.th

Size : 60 x 60 x 25

Unit : mm

## (Axial Fan)



## Lead Wire Type

## Electronically-Protected



Spec.	Rated Voltage	Frequency	Input Power	Rated Current	Locked Current	Speed	Maximum Air Flow	Maximum Air Flow	Maximum Pressure	Maximum Pressure	Noise	Weight
Model	V	Hz	W	A	A	RPM	m <sup>3</sup> /min.	CFM	mmH <sub>2</sub> O	InchH <sub>2</sub> O	dB	kg
UFT60BBPB0AM1D4A	115~230	50/60	2.0 (115V)	0.041 (115V)	0.092 (115V)	3850 (115V)	0.54 (115V)	19.1 (115V)	4.3 (115V)	0.17 (115V)	31	0.06
			2.4 (230V)	0.026 (230V)	0.044 (230V)	3950 (230V)	0.55 (230V)	19.4 (230V)	4.6 (230V)	0.18 (230V)		