

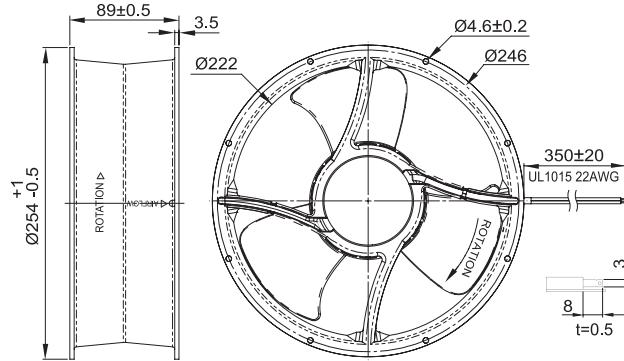
# UFT25GBPB Series

Tech & Time System Co., Ltd. **EC FAN**

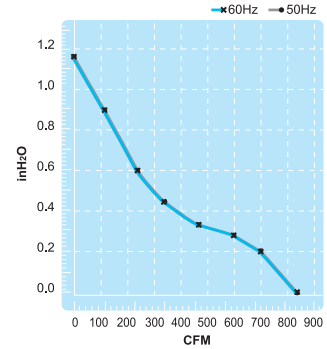
Tel: 0-2529-6344 Email: sales@tech-time.co.th

Size :  $\varnothing 254 \times 89$

Unit : mm



(Axial Fan)



Electronically-Protected

Terminal or Lead Wire Type



Spec. Model	Rated Voltage V	Frequency Hz	Input Power W	Rated Current A	Locked Current A	Speed RPM	Maximum Air Flow m <sup>3</sup> /min.	Maximum Air Flow CFM	Maximum Pressure mmH <sub>2</sub> O	Maximum Pressure InchH <sub>2</sub> O	Noise dB	Weight kg
UFT25GBPB11H1D8A	115	50/60	75	1.05	0.15	2750	23.5	830	30.5	1.20	70	2.09
UFT25GBPB23H1D8A	230	50/60	72	0.64	0.15	2750	23.5	830	30.5	1.20	70	2.09
UFT25GBPB0AL1D8A	115~230	50/60	21 (115V) 22 (230V)	0.35 (115V) 0.21 (230V)	0.14 (115V) 0.16 (230V)	1700	14.2	500	12.2	0.48	56	2.09