

# UFT12ABPB Series

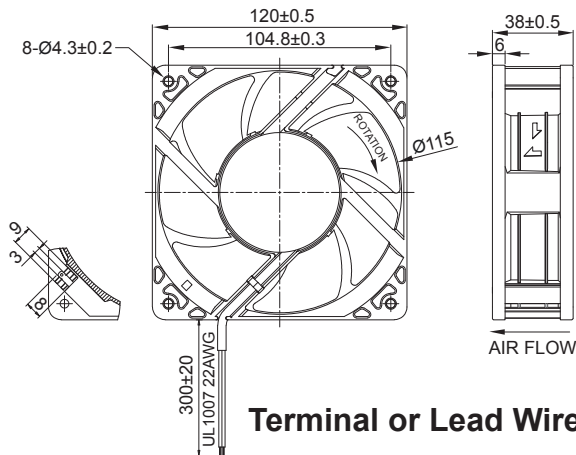
## EC FAN

Size : 120 x 120 x 38

Unit : mm

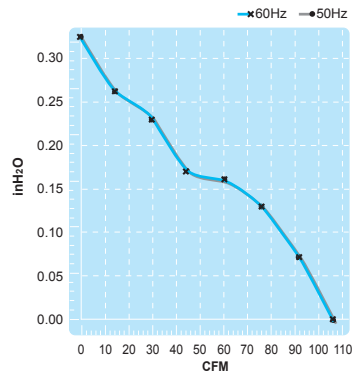


**Electronically-Protected**



**Terminal or Lead Wire Type**

(Axial Fan)



Tech & Time System Co., Ltd.

Tel: 0-2529-6344 Email: sales@tech-time.co.th



Spec.	Rated Voltage	Frequency	Input Power	Rated Current	Locked Current	Speed	Maximum Air Flow	Maximum Air Flow	Maximum Pressure	Maximum Pressure	Noise	Weight
Model	V	Hz	W	A	A	RPM	m <sup>3</sup> /min.	CFM	mmH <sub>2</sub> O	InchH <sub>2</sub> O	dB	kg
UFT12ABPB0AM1D4A	115~230	50/60	4.9 (115V)	0.08 (115V)	0.09 (115V)	3200	3.0	106	8.6	0.34	43	0.29
			5.2 (230V)	0.06 (230V)	0.06 (230V)							