

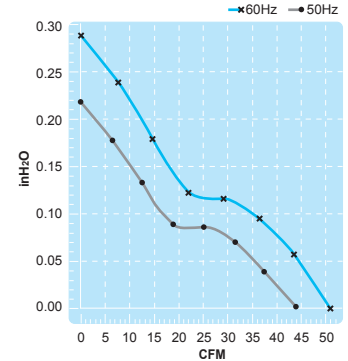
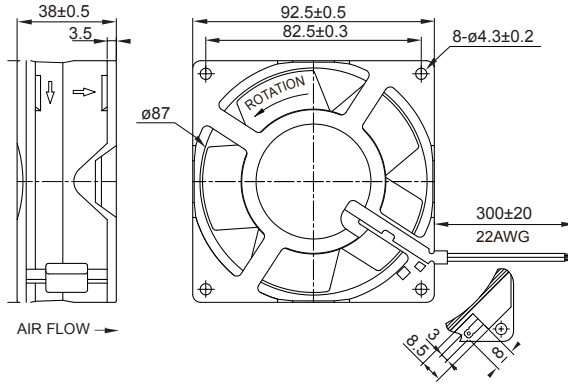
# UF92A(M) Series

Tech & Time System Co.,Ltd.

Tel:0-2529-6344 Email:sales@tech-time.co.th

Size : 92.5 x 92.5 x 38  
Unit : mm

\* Metal Impeller



## Impedance-Protected

## Terminal or Lead Wire Type



Spec.	Rated Voltage	Frequency	Input Power	Rated Current	Locked Current	Speed	Maximum Air Flow	Maximum Air Flow	Maximum Pressure	Maximum Pressure	Noise	Weight
Model	V	Hz	W	A	A	RPM	m <sup>3</sup> /min.	CFM	mmH <sub>2</sub> O	InchH <sub>2</sub> O	dB	kg
UF92AM10-H	100	50	12	0.16	0.20	2700	1.25	44	6.0	0.24	37	0.43
		60	11	0.15	0.19	3200	1.45	51	7.5	0.30	42	
UF92AM11-H	115	50	12	0.13	0.19	2700	1.25	44	6.0	0.24	37	0.43
		60	11	0.11	0.17	3200	1.45	51	7.5	0.30	42	
UF92AM20-H	200	50	12	0.08	0.10	2700	1.25	44	6.0	0.24	37	0.43
		60	11	0.07	0.09	3200	1.45	51	7.5	0.30	42	
UF92AM23-H	230	50	12	0.06	0.09	2700	1.25	44	6.0	0.24	37	0.43
		60	11	0.05	0.08	3200	1.45	51	7.5	0.30	42	