

UF92A Series

Tech & Time System Co., Ltd.

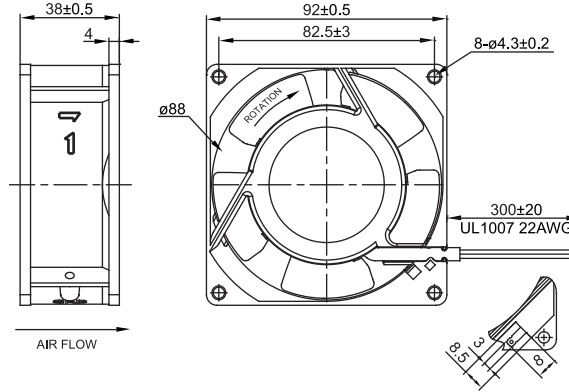
Tel: 0-2529-6344 Email: sales@tech-time.co.th

Size : 92 x 92 x 38

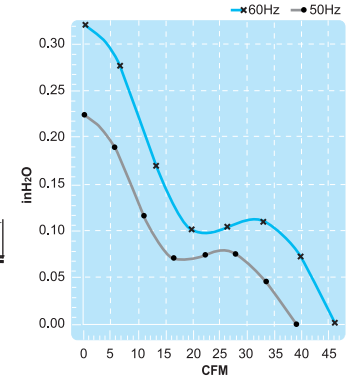
Unit : mm



Impedance Protection



Terminal or Lead Wire Type



Spec. Model	Rated Voltage V	Frequency Hz	Input Power W	Rated Current A	Locked Current A	Speed RPM	Maximum Air Flow m ³ /min.	Maximum Air Flow CFM	Maximum Pressure mmH ₂ O	Maximum Pressure InchH ₂ O	Noise dB	Weight kg
UF92A11-H	115V	50	15	0.22	0.29	2800	1.1	38	5.6	0.22	34	0.45
		60	12	0.16	0.25	3300	1.3	46	8.1	0.32	38	
UF92A23-H	230V	50	16	0.12	0.15	2800	1.1	38	5.6	0.22	34	0.45
		60	12	0.09	0.13	3300	1.3	46	8.1	0.32	38	