

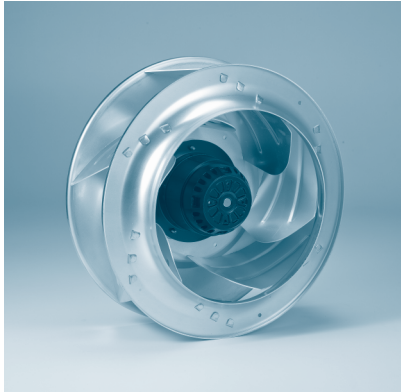
# UF360AAA Series

Tech & Time System Co., Ltd.

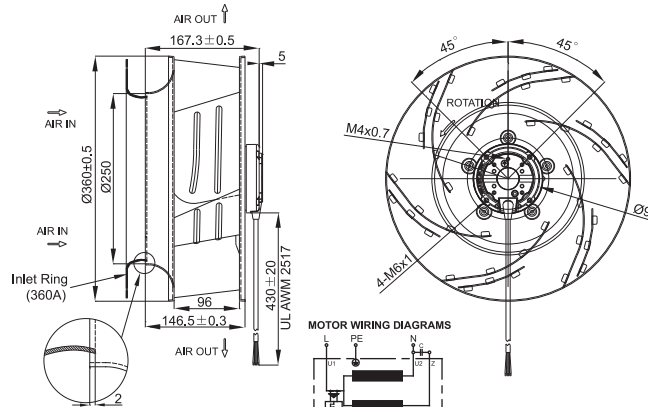
Tel: 0-2529-6344 Email: sales@tech-time.co.th

Size :  $\varnothing 360 \times 167.3$

Unit : mm

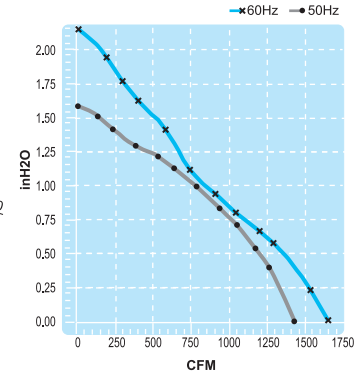


## Thermal Protection



## Lead Wire Type

## (Centrifugal Fan)



Spec. / Model	Rated Voltage (V)	Frequency (Hz)	Input Power (W)	Rated Current (A)	Locked Current (A)	Speed (RPM)	Maximum Air Flow (m <sup>3</sup> /min.)	Maximum Air Flow (CFM)	Maximum Pressure (mmH <sub>2</sub> O)	Maximum Pressure (InchH <sub>2</sub> O)	Capacitor (μF/DB)	Noise (dB)	Weight (kg)
UF360AAA11H1C4A	115V	50	190	1.70	4.24	1400	40.5	1430	40	1.6	24/250	66	5.1
		60	270	2.30	4.00	1600	46.5	1645	55	2.2		70	
UF360AAA23H1C4A	230V	50	190	0.90	2.12	1400	40.5	1430	40	1.6	6/450	66	5.1
		60	265	1.20	2.00	1600	46.5	1645	55	2.2		70	

