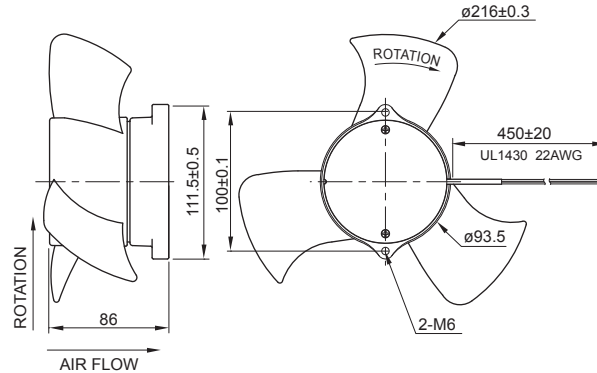
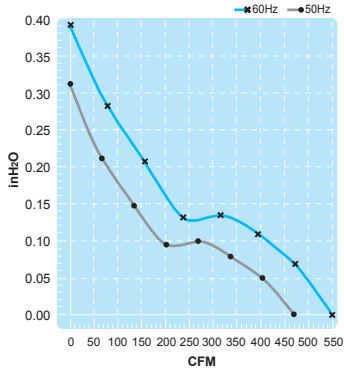


Size : $\varnothing 216 \times 86$
Unit : mm



Lead Wire Type



Thermally-Protected



IP55

Spec.	Rated Voltage	Frequency	Input Power	Rated Current	Locked Current	Speed	Maximum Air Flow	Maximum Air Flow	Maximum Pressure	Maximum Pressure	Noise	Weight
Model	V	Hz	W	A	A	RPM	m ³ /min.	CFM	mmH ₂ O	InchH ₂ O	dB	kg
UF25GCE11-H	115	50	36	0.30	0.53	1400	13.0	460	8.0	0.32	52	1.4
		60	39	0.29	0.51	1650	15.5	550	10.0	0.40	55	
UF25GCE23-H	230	50	36	0.14	0.26	1400	13.0	460	8.0	0.32	52	1.4
		60	39	0.14	0.25	1650	15.5	550	10.0	0.40	55	