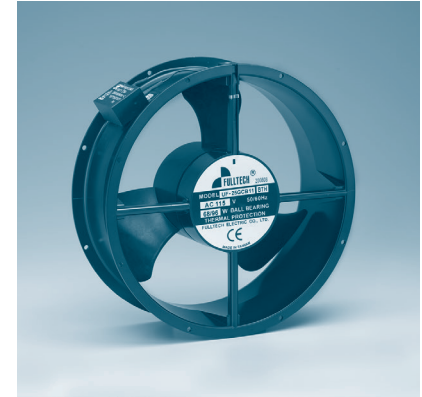
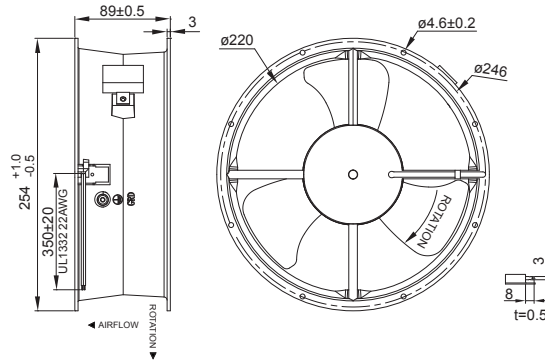
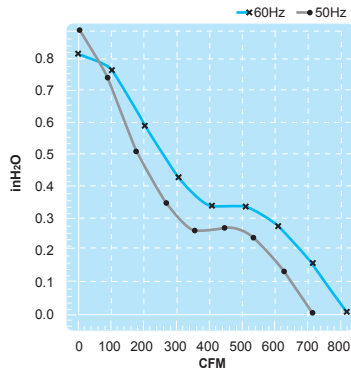


Size : $\varnothing 254 \times 89$
Unit : mm



Terminal or Lead Wire Type

Thermally-Protected



Spec. Model	Rated Voltage V	Frequency Hz	Input Power W	Rated Current A	Locked Current A	Speed RPM	Maximum Air Flow m ³ /min.	Maximum Air Flow CFM	Maximum Pressure mmH ₂ O	Maximum Pressure InchH ₂ O	Noise dB	Weight kg
UF25GCB11-H	115	50	68	0.62	1.16	2800	20.2	713	22.7	0.90	62	2.3
		60	96	0.88	1.16	3200	23.0	812	20.7	0.82	65	
UF25GCB23-H	230	50	70	0.32	0.60	2800	20.2	713	22.7	0.90	62	2.3
		60	98	0.45	0.60	3200	23.0	812	20.7	0.82	65	