

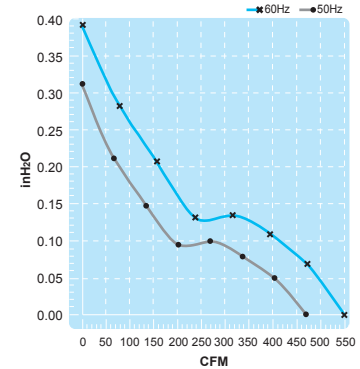
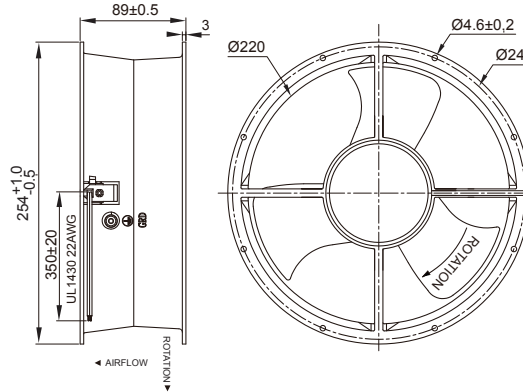
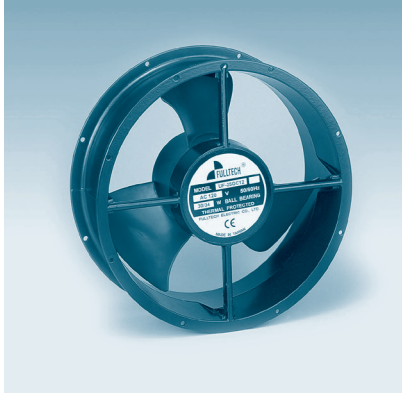
UF25G(C) Series

Tech & Time System Co.,Ltd.

Tel:0-2529-6344 Email:sales@tech-time.co.th

Size : $\varnothing 254 \times 89$

Unit : mm



Thermally-Protected

Terminal or Lead Wire Type



IP55

Spec. / Model	Rated Voltage / V	Frequency / Hz	Input Power / W	Rated Current / A	Locked Current / A	Speed / RPM	Maximum Air Flow / m ³ /min.	Maximum Air Flow / CFM	Maximum Pressure / mmH ₂ O	Maximum Pressure / InchH ₂ O	Noise / dB	Weight / kg
UF25GC10-H	100	50	36	0.45	0.74	1400	13.0	460	8.0	0.32	52	1.9
		60	36	0.40	0.72	1650	15.5	550	10.0	0.40	55	
UF25GC11-H	115	50	31	0.30	0.53	1400	13.0	460	8.0	0.32	52	1.9
		60	33	0.29	0.51	1650	15.5	550	10.0	0.40	55	
UF25GC20-H	200	50	36	0.22	0.35	1400	13.0	460	8.0	0.32	52	1.9
		60	36	0.19	0.34	1650	15.5	550	10.0	0.40	55	
UF25GC23-H	230	50	31	0.14	0.26	1400	13.0	460	8.0	0.32	52	1.9
		60	33	0.14	0.25	1650	15.5	550	10.0	0.40	55	