

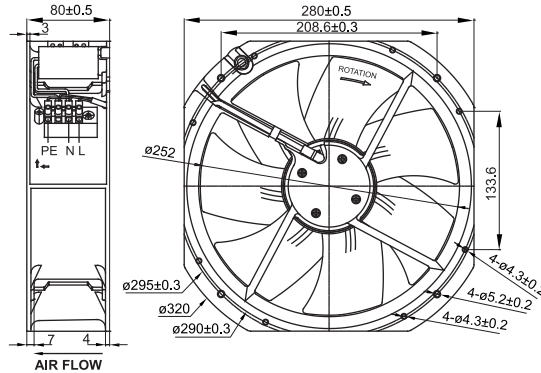
UF250BMA Series

Tech & Time System Co.,Ltd.

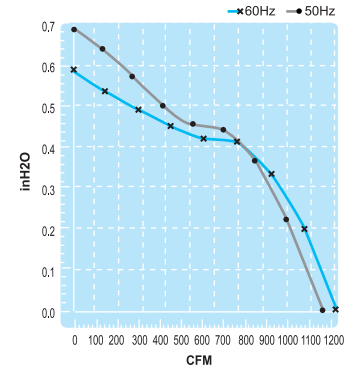
Tel:0-2529-6344 Email:sales@tech-time.co.th

Size : 280 x 280 x 80

Unit : mm



(Axial Fan)



Thermal Protection



| Spec. / Model | Rated Voltage V | Frequency Hz | Input Power W | Rated Current A | Locked Current A | Speed RPM | Maximum Air Flow m ³ /min. | Maximum Air Flow CFM | Maximum Pressure mmH ₂ O | Maximum Pressure InchH ₂ O | Capacitor μF/VDB | Noise dB | Weight kg |
|-----------------|-----------------|--------------|---------------|-----------------|------------------|-----------|---------------------------------------|----------------------|-------------------------------------|---------------------------------------|------------------|----------|-----------|
| UF250BMA11H1C2A | 115V | 50 | 120 | 1.50 | 1.90 | 2400 | 29.8 | 1050 | 17.8 | 0.70 | 12/250 | 70 | 2.8 |
| | | 60 | 157 | 1.20 | 1.90 | 2600 | 31.2 | 1100 | 15.0 | 0.59 | | 71 | |
| UF250BMA23H1C2A | 230V | 50 | 119 | 0.52 | 0.83 | 2400 | 29.8 | 1050 | 17.8 | 0.70 | 4/450 | 70 | 2.8 |
| | | 60 | 158 | 0.71 | 0.87 | 2600 | 31.2 | 1100 | 15.0 | 0.59 | | 71 | |