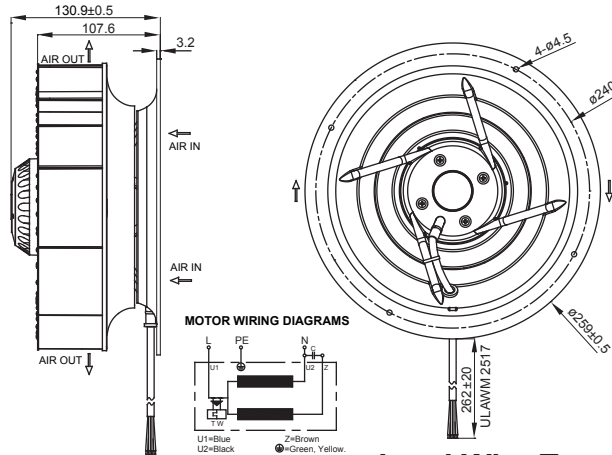
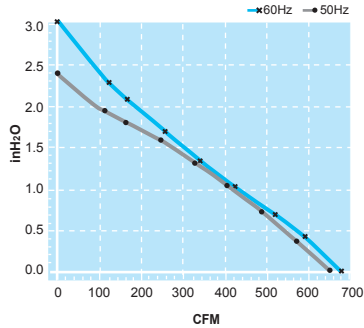


Size : $\varnothing 259 \times 130.9$
Unit : mm

(Centrifugal Fan)



Lead Wire Type

Thermally-Protected



Spec.	Rated Voltage	Frequency	Input Power	Rated Current	Locked Current	Speed	Maximum Air Flow	Maximum Air Flow	Maximum Pressure	Maximum Pressure	Capacitor	Noise	Weight
Model	V	Hz	W	A	A	RPM	m ³ /min.	CFM	mmH ₂ O	InchH ₂ O	μ F/VDB	dB	kg
UF250APA11H1C2F	115	50	170	1.50	3.10	2600	18.5	653	61	2.4	20/250	71	3.3
		60	240	2.10	3.00	2700	19.3	681	78	3.1		72	
UF250APA23H1C2F	230	50	170	0.77	1.57	2600	18.5	653	56	2.4	5/450	71	3.3
		60	240	1.00	1.52	2700	19.3	681	78	3.1		72	