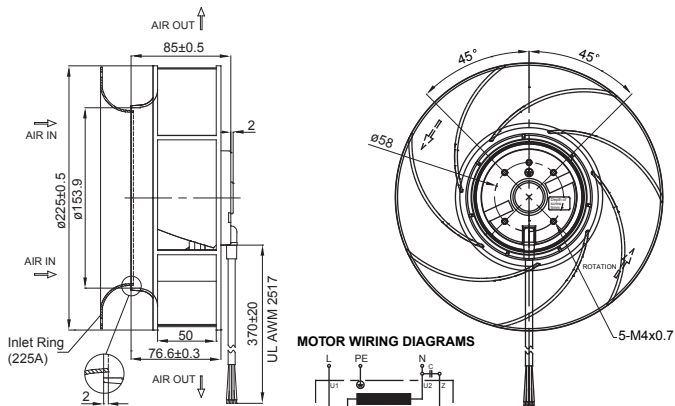
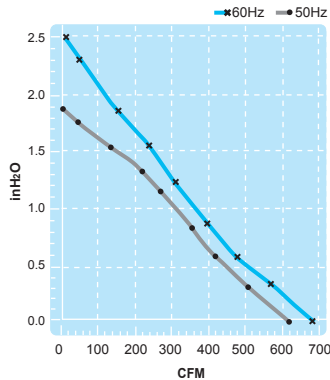


Size : $\varnothing 225 \times 85$
Unit : mm

(Centrifugal Fan)



Lead Wire Type



Thermally-Protected



Spec. / Model	Rated Voltage (V)	Frequency (Hz)	Input Power (W)	Rated Current (A)	Locked Current (A)	Speed (RPM)	Maximum Air Flow (m ³ /min.)	Maximum Air Flow (CFM)	Maximum Pressure (mmH ₂ O)	Maximum Pressure (InchH ₂ O)	Capacitor (μF/VDB)	Noise (dB)	Weight (kg)
UF225(85)APA 11H1C2A	115	50	115	1.15	2.22	2700	17.5	618	46	1.8	12/250	71	2.3
		60	135	1.20	2.30	3000	19.2	680	64	2.5		75	
UF225(85)APA 23H1C2A	230	50	115	0.57	1.14	2700	17.5	618	46	1.8	3/450	71	2.3
		60	135	0.60	1.15	3000	19.2	680	64	2.5		75	