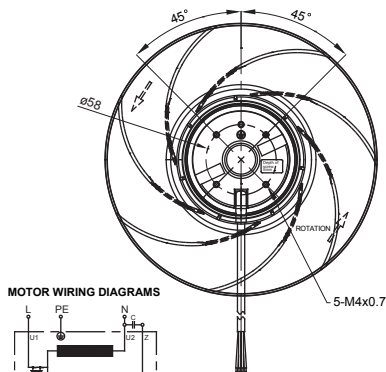
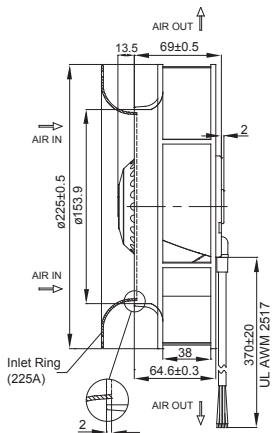
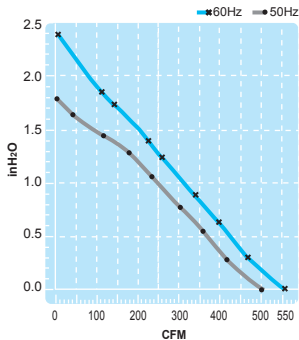


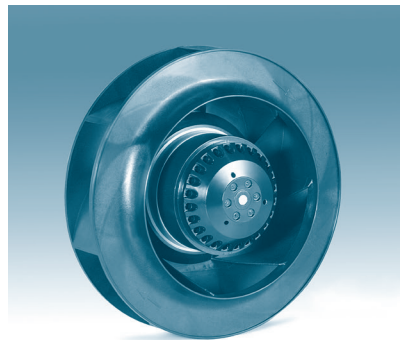
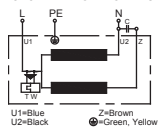
Size : $\varnothing 225 \times 69$

Unit : mm

(Centrifugal Fan)



MOTOR WIRING DIAGRAMS



Lead Wire Type

Thermally-Protected

Spec.	Rated Voltage	Frequency	Input Power	Rated Current	Locked Current	Speed	Maximum Air Flow	Maximum Air Flow	Maximum Pressure	Maximum Pressure	Capacitor	Noise	Weight
Model	V	Hz	W	A	A	RPM	m ³ /min.	CFM	mmH ₂ O	InchH ₂ O	μF/VDB	dB	kg
UF225(69)APA 11H1C2A	115	50	105	1.11	2.22	2650	14.2	500	46	1.8	12/250	70	2.3
		60	125	1.12	2.30	2950	15.6	550	58	2.3		72	
UF225(69)APA 23H1C2A	230	50	105	0.54	1.14	2650	14.2	500	46	1.8	3/450	70	2.3
		60	125	0.56	1.15	2950	15.6	550	58	2.3		72	