

UF220APA-F Series

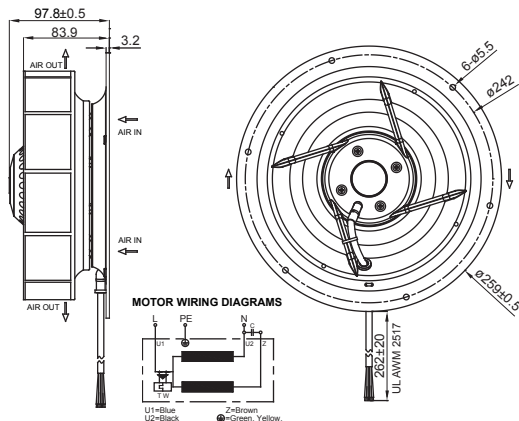
Tech & Time System Co.,Ltd.

Tel.0-2529-6344 Email:sales@tech-time.co.th

Size : $\varnothing 259 \times 97.8$
Unit : mm

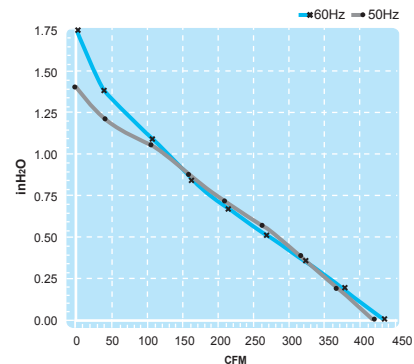


Thermally-Protected



Lead Wire Type

(Centrifugal Fan)



Spec.	Rated Voltage	Frequency	Input Power	Rated Current	Locked Current	Speed	Maximum Air Flow	Maximum Air Flow	Maximum Pressure	Maximum Pressure	Capacitor	Noise	Weight
Model	V	Hz	W	A	A	RPM	m ³ /min.	CFM	mmH ₂ O	InchH ₂ O	μF/VDB	dB	kg
UF220APA11H2C2F	115	50	90	0.63	0.88	2500	12.0	424	36	1.4	10/250	64	1.9
		60	117	0.80	0.93	2650	12.3	434	45	1.8		65	
UF220APA23H2C2F	230	50	90	0.35	0.47	2500	12.0	424	36	1.4	2/450	64	1.9
		60	117	0.39	0.49	2650	12.3	434	45	1.8		65	