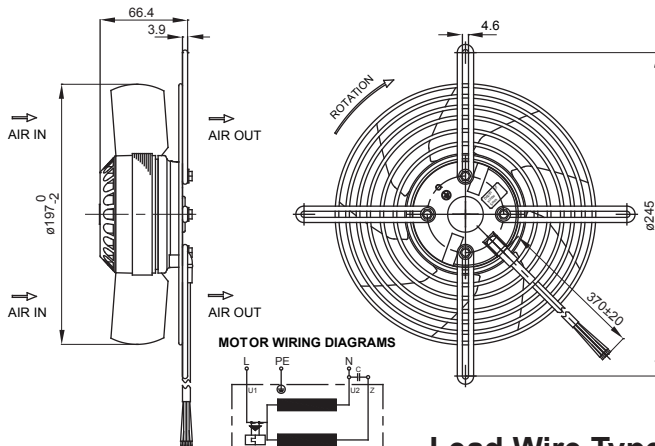
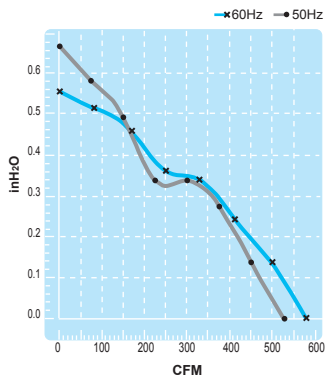
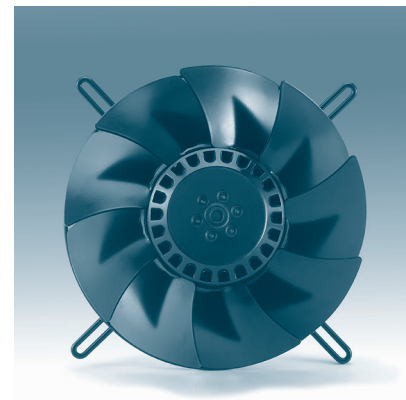


Size : $\varnothing 245 \times 66.4$
Unit : mm

(Axial Fan)



Lead Wire Type



Thermally-Protected



Spec. / Model	Rated Voltage (V)	Frequency (Hz)	Input Power (W)	Rated Current (A)	Locked Current (A)	Speed (RPM)	Maximum Air Flow (m ³ /min.)	Maximum Air Flow (CFM)	Maximum Pressure (mmH ₂ O)	Maximum Pressure (InchH ₂ O)	Capacitor (μF/VDB)	Noise (dB)	Weight (kg)
UF200BMB11H1C2B	115	50	65	0.58	0.99	2550	15	530	17	0.67	5/250	59	1.4
		60	72	0.70	0.99	2800	17	600	14	0.55		61	
UF200BMB23H1C2B	230	50	74	0.29	0.50	2550	15	530	17	0.67	1.5/450	59	1.4
		60	80	0.35	0.50	2800	17	600	14	0.55		61	