

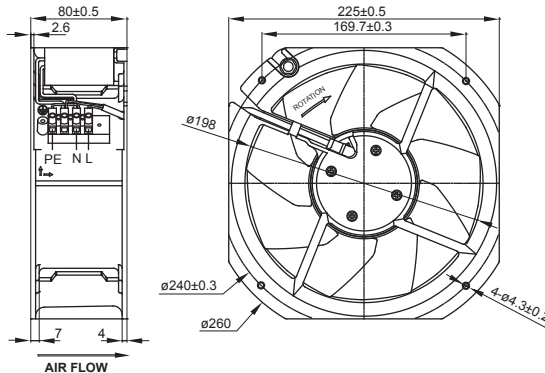
UF200BMB Series

Tech & Time System Co., Ltd.

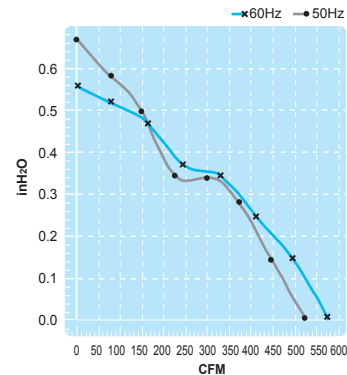
Tel: 0-2529-6344 Email: sales@tech-time.co.th

Size : 225 x 225 x 80

Unit : mm



(Axial Fan)



Thermally-Protected



Spec. / Model	Rated Voltage / V	Frequency / Hz	Input Power / W	Rated Current / A	Locked Current / A	Speed / RPM	Maximum Air Flow / m ³ /min.	Maximum Air Flow / CFM	Maximum Pressure / mmH ₂ O	Maximum Pressure / InchH ₂ O	Capacitor / μF/VDB	Noise / dB	Weight / kg
UF200BMB11H1C2A	115	50	65	0.58	0.99	2550	15	530	17	0.67	5/250	59	2.1
		60	72	0.70	0.99	2800	17	600	14	0.55		61	
UF200BMB23H1C2A	230	50	74	0.29	0.50	2550	15	530	17	0.67	1.5/450	59	2.1
		60	80	0.35	0.50	2800	17	600	14	0.55		61	