

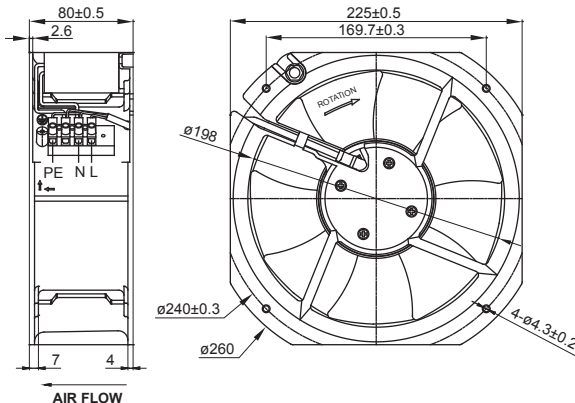
UF200BMA Series

Tech & Time System Co.,Ltd.

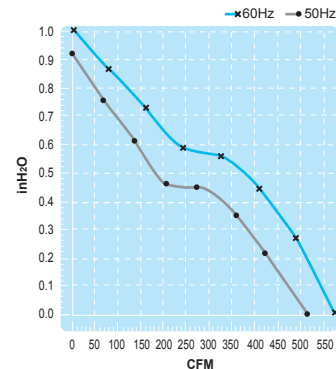
Tel:0-2529-6344 Email:sales@tech-time.co.th

Size : 225 x 225 x 80

Unit : mm



(Axial Fan)



Thermally-Protected

Cl. F



Spec. / Model	Rated Voltage (V)	Frequency (Hz)	Input Power (W)	Rated Current (A)	Locked Current (A)	Speed (RPM)	Maximum Air Flow (m ³ /min.)	Maximum Air Flow (CFM)	Maximum Pressure (mmH ₂ O)	Maximum Pressure (InchH ₂ O)	Capacitor (μF/VDB)	Noise (dB)	Weight (kg)
UF200BMA11H2C2A	115	50	73	0.75	1.30	2700	14.7	520	23.3	0.92	8/250	65	2.4
		60	75	0.66	1.40	3100	16.5	580	25.4	1.00		68	
UF200BMA23H2C2A	230	50	72	0.38	0.62	2700	14.7	520	23.3	0.92	2/450	65	2.4
		60	77	0.34	0.63	3100	16.5	580	25.4	1.00		68	