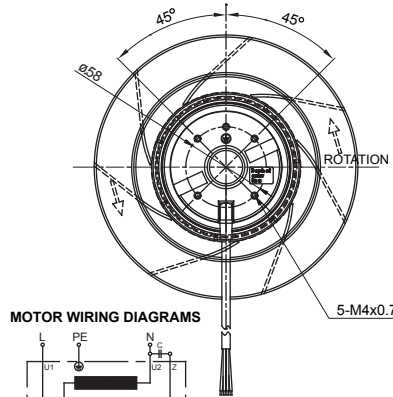
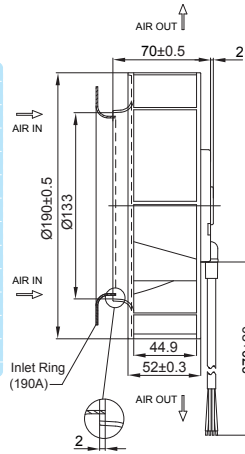
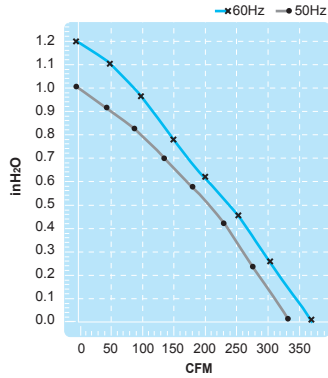


Size :  $\varnothing 190 \times 70$   
Unit : mm

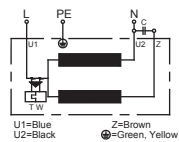
## (Centrifugal Fan)



**Thermally-Protected**



**Lead Wire Type**



Spec. / Model	Rated Voltage (V)	Frequency (Hz)	Input Power (W)	Rated Current (A)	Locked Current (A)	Speed (RPM)	Maximum Air Flow (m <sup>3</sup> /min.)	Maximum Air Flow (CFM)	Maximum Pressure (mmH <sub>2</sub> O)	Maximum Pressure (InchH <sub>2</sub> O)	Capacitor (μF/VDB)	Noise (dB)	Weight (kg)
UF190APA11H1C2A	115	50	55	0.45	0.92	2500	9.5	335	25	1.0	6/250	60	1.2
		60	65	0.54	0.91	2700	10.4	370	30	1.2		63	
UF190APA23H1C2A	230	50	57	0.23	0.43	2500	9.5	335	25	1.0	2/450	60	1.2
		60	72	0.30	0.45	2700	10.4	370	30	1.2		63	