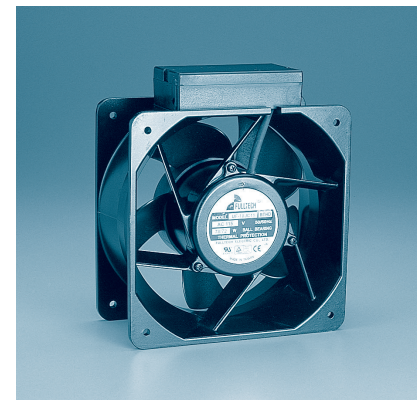
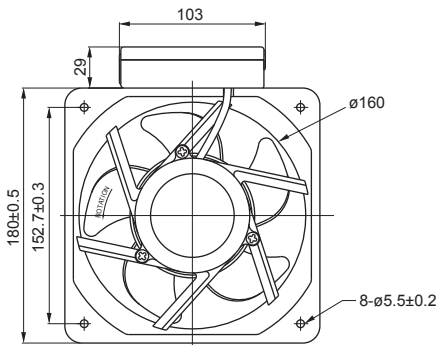
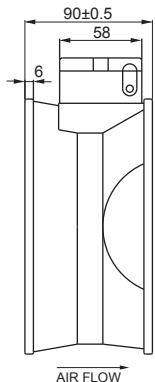
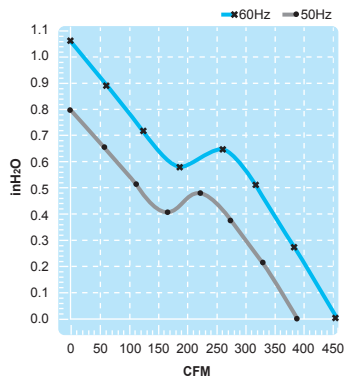


Size : 180 x 180 x 90
Unit : mm



Terminal Box Type

Thermally-Protected

Spec.	Rated Voltage	Frequency	Input Power	Rated Current	Locked Current	Speed	Maximum Air Flow	Maximum Air Flow	Maximum Pressure	Maximum Pressure	Noise	Weight
Model	V	Hz	W	A	A	RPM	m ³ /min.	CFM	mmH ₂ O	InchH ₂ O	dB	kg
UF18JC10-H	100	50	78	1.05	2.05	2850	11	390	20	0.78	54	2.2
		60	72	0.77	2.30	3400	13	460	27	1.06	59	
UF18JC11-H	115	50	78	0.88	2.00	2850	11	390	20	0.78	54	2.2
		60	72	0.63	2.01	3400	13	460	27	1.06	59	
UF18JC20-H	200	50	75	0.48	0.97	2850	11	390	20	0.78	54	2.2
		60	72	0.38	0.98	3400	13	460	27	1.06	59	
UF18JC23-H	230	50	75	0.42	1.00	2850	11	390	20	0.78	54	2.2
		60	72	0.31	1.01	3400	13	460	27	1.06	59	