

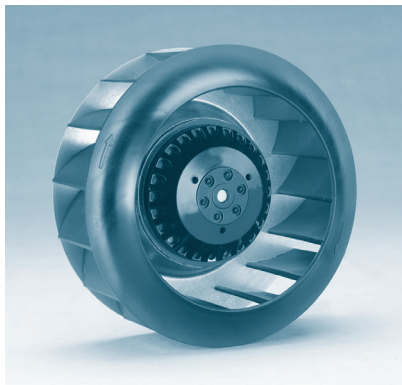
UF180APA Series

Tech & Time System Co.,Ltd.

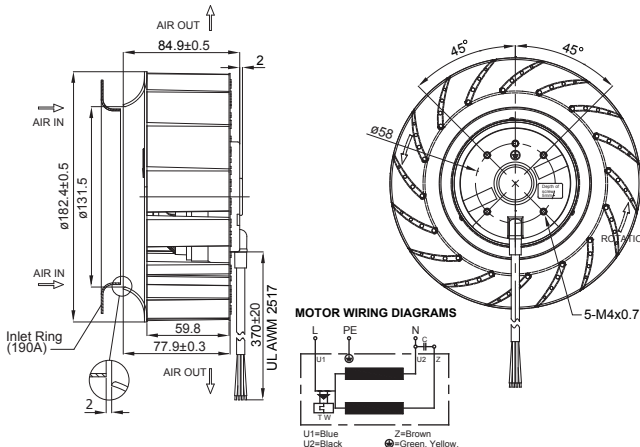
Tel.0-2529-6344 Email:sales@tech-time.co.th

Size : $\varnothing 182.4 \times 84.9$

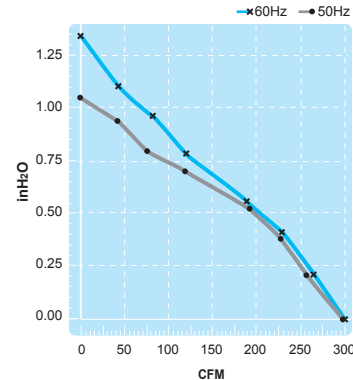
Unit : mm



Thermally-Protected



(Centrifugal Fan)



Lead Wire Type



Spec.	Rated Voltage	Frequency	Input Power	Rated Current	Locked Current	Speed	Maximum Air Flow	Maximum Air Flow	Maximum Pressure	Maximum Pressure	Capacitor	Noise	Weight
Model	V	Hz	W	A	A	RPM	m ³ /min.	CFM	mmH ₂ O	InchH ₂ O	μF/VDB	dB	kg
UF180APA11H1C2A	115	50	70	0.62	0.86	2300	8.5	300	25	1.0	10/250	63	1.4
		60	83	0.75	0.93	2400	8.5	300	34	1.3		63	
UF180APA23H1C2A	230	50	70	0.30	0.41	2300	8.5	300	25	1.0	2/450	63	1.4
		60	81	0.35	0.44	2400	8.5	300	34	1.3		63	