

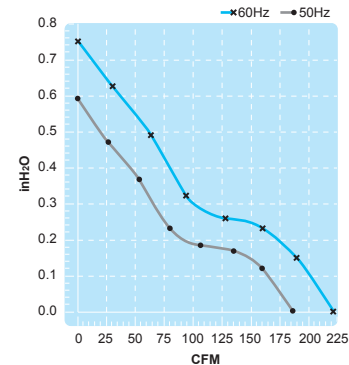
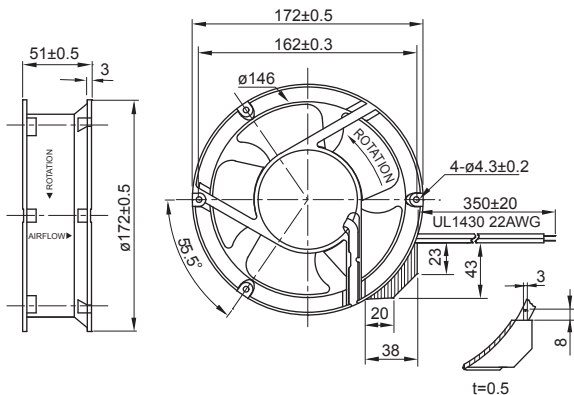
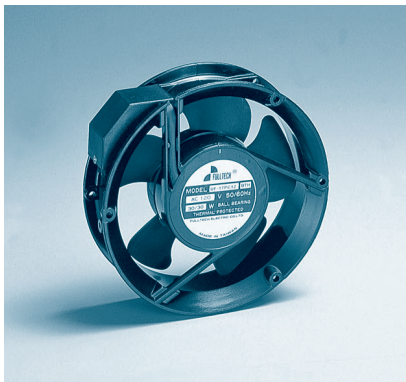
UF17P(C) Series

Tech & Time System Co.,Ltd.

T.O-2529-6344 Email: sales@tech-time.co.ch

Size : $\varnothing 172 \times 51$

Unit : mm



Thermally-Protected

Terminal or Lead Wire Type



IP55

Spec.	Rated Voltage	Frequency	Input Power	Rated Current	Locked Current	Speed	Maximum Air Flow	Maximum Air Flow	Maximum Pressure	Maximum Pressure	Noise	Weight
Model	V	Hz	W	A	A	RPM	m ³ /min.	CFM	mmH ₂ O	InchH ₂ O	dB	kg
UF17PC10-H	100	50	30	0.33	0.50	2850	5.8	205	16	0.63	50	0.82
		60	30	0.29	0.52	3400	6.4	226	20	0.79	55	
UF17PC11-H	115	50	31	0.26	0.41	2850	5.8	205	16	0.63	50	0.82
		60	31	0.25	0.43	3400	6.4	226	20	0.79	55	
UF17PC20-H	200	50	29	0.15	0.23	2850	5.8	205	16	0.63	50	0.82
		60	29	0.14	0.25	3400	6.4	226	20	0.79	55	
UF17PC23-H	230	50	29	0.12	0.19	2850	5.8	205	16	0.63	50	0.82
		60	29	0.12	0.19	3400	6.4	226	20	0.79	55	
UF17PC11-L	115	50	31	0.17	0.21	1400	2.5	88	3.8	0.15	31	0.82
		60	31	0.15	0.20	1700	3.0	106	5.5	0.22	37	
UF17PC23-L	230	50	29	0.08	0.09	1400	2.5	88	3.8	0.15	31	0.82
		60	29	0.07	0.09	1700	3.0	106	5.5	0.22	37	