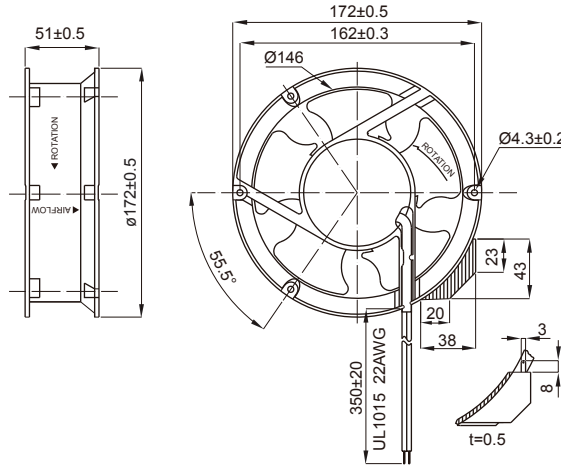
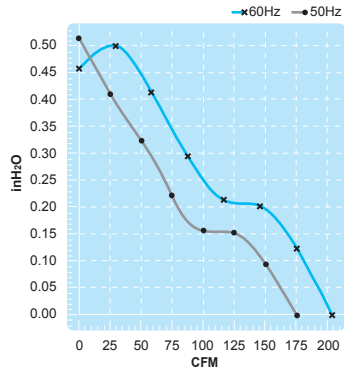


Size : $\varnothing 172 \times 51$
Unit : mm



Terminal or Lead Wire Type

Impedance-Protected

Spec. / Model	Rated Voltage V	Frequency Hz	Input Power W	Rated Current A	Locked Current A	Speed RPM	Maximum Air Flow m ³ /min.	Maximum Air Flow CFM	Maximum Pressure mmH ₂ O	Maximum Pressure InchH ₂ O	Noise dB	Weight kg
UF17P11-H	115	50	32	0.43	0.51	2750	4.8	170	10.5	0.42	49	0.9
		60	28	0.36	0.45	3100	5.5	195	9.5	0.38	53	
UF17P23-H	230	50	35	0.23	0.29	2750	4.8	170	10.5	0.42	49	0.9
		60	30	0.18	0.25	3100	5.5	195	9.5	0.38	53	