

UF175AMA Series

Tech & Time System Co.,Ltd.

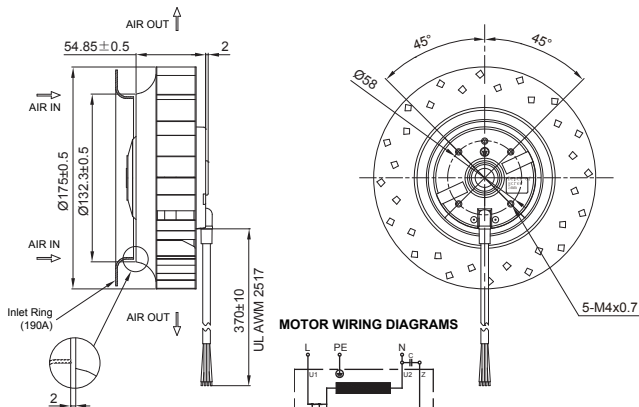
Tel:0-2529-6344 Email:sales@tech-time.co.th

Size : $\varnothing 175 \times 54.85$

Unit : mm

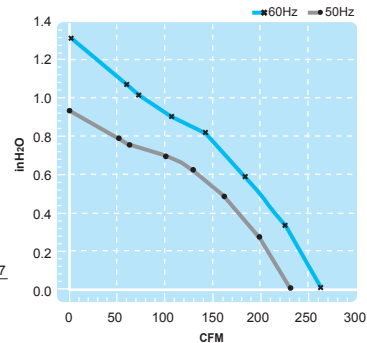


Thermally-Protected



Lead Wire Type

(Centrifugal Fan)



Spec.	Rated Voltage	Frequency	Input Power	Rated Current	Locked Current	Speed	Maximum Air Flow	Maximum Air Flow	Maximum Pressure	Maximum Pressure	Capacitor	Noise	Weight
Model	V	Hz	W	A	A	RPM	m ³ /min.	CFM	mmH ₂ O	InchH ₂ O	µF/V/DB	dB	kg
UF175AMA11H1C2A	115	50	60	0.48	0.76	2550	7.2	253	23	0.9	6/250	66	1.3
		60	66	0.51	0.78	2900	8.0	284	33	1.3		70	
UF175AMA23H1C2A	230	50	60	0.24	0.37	2550	6.9	244	23	0.9	1.5/450	66	1.3
		60	66	0.26	0.38	2900	7.8	274	33	1.3		70	