

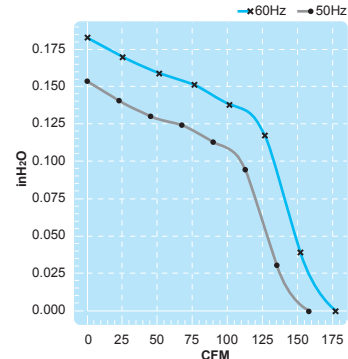
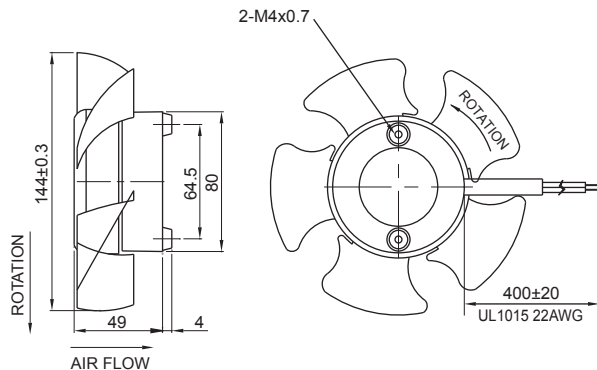
UF15P(E) Series

Tech & Time System Co.,Ltd.

Tel:0-2529-6344 Email:sales@tech-time.co.th

Size : $\varnothing 144 \times 53$

Unit : mm



Impedance-Protected

Lead Wire Type



Spec. Model	Rated Voltage V	Frequency Hz	Input Power W	Rated Current A	Locked Current A	Speed RPM	Maximum Air Flow m ³ /min.	Maximum Air Flow CFM	Maximum Pressure mmH ₂ O	Maximum Pressure InchH ₂ O	Noise dB	Weight kg
UF15PE11-H	115	50	36	0.51	0.62	2650	4.53	160	4.06	0.16	48	0.78
		60	33	0.42	0.54	2950	5.10	180	4.57	0.18	53	
UF15PE23-H	230	50	36	0.24	0.29	2650	4.53	160	4.06	0.16	48	0.78
		60	33	0.20	0.25	2950	5.10	180	4.57	0.18	53	