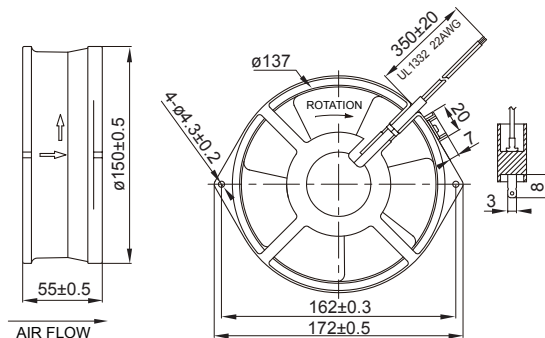
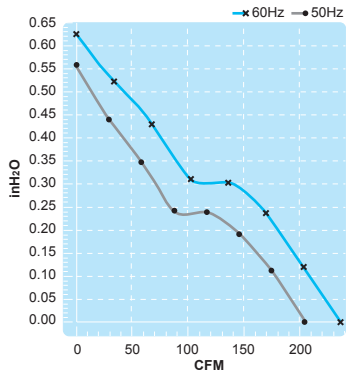


Size : 172 x 150 x 55

Unit : mm



* Metal Impeller



CI. F

IP55

Terminal or Lead Wire Type

Thermally-Protected

Spec.	Rated Voltage	Frequency	Input Power	Rated Current	Locked Current	Speed	Maximum Air Flow	Maximum Air Flow	Maximum Pressure	Maximum Pressure	Noise	Weight
Model	V	Hz	W	A	A	RPM	m ³ /min.	CFM	mmH ₂ O	InchH ₂ O	dB	kg
UF15KM10-H	100	50	40	0.58	1.03	2800	5.5	195	14	0.55	49	1.10
		60	38	0.50	0.89	3250	6.5	230	16	0.63	53	
UF15KM11-H	115	50	42	0.52	0.88	2800	5.5	195	14	0.55	49	1.10
		60	42	0.47	0.75	3250	6.5	230	16	0.63	53	
UF15KM20-H	200	50	40	0.29	0.50	2800	5.5	195	14	0.55	49	1.10
		60	38	0.26	0.45	3250	6.5	230	16	0.63	53	
UF15KM23-H	230	50	42	0.25	0.43	2800	5.5	195	14	0.55	49	1.10
		60	42	0.23	0.37	3250	6.5	230	16	0.63	53	