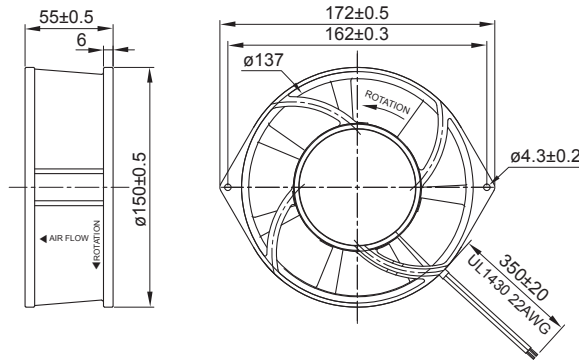
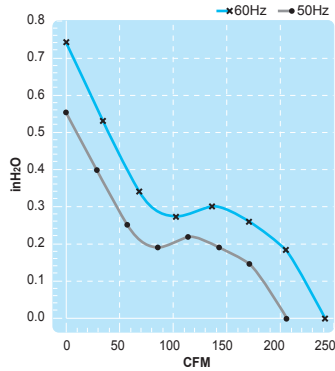


Size : 172 x 150 x 55  
Unit : mm



## Terminal or Lead Wire Type

## Thermally-Protected



Spec.	Rated Voltage	Frequency	Input Power	Rated Current	Locked Current	Speed	Maximum Air Flow	Maximum Air Flow	Maximum Pressure	Maximum Pressure	Noise	Weight
Model	V	Hz	W	A	A	RPM	m <sup>3</sup> /min.	CFM	mmH <sub>2</sub> O	InchH <sub>2</sub> O	dB	kg
UF15KCR10-H	100	50	28	0.32	0.72	2850	5.8	205	14.0	0.55	61	1.08
		60	32	0.33	0.72	3400	6.8	241	18.5	0.73	66	
UF15KCR11-H	115	50	26	0.24	0.58	2850	5.8	205	14.0	0.55	61	1.08
		60	30	0.25	0.58	3400	6.8	241	18.5	0.73	66	
UF15KCR20-H	200	50	28	0.15	0.35	2850	5.8	205	14.0	0.55	61	1.08
		60	32	0.16	0.35	3400	6.8	241	18.5	0.73	66	
UF15KCR23-H	230	50	26	0.11	0.28	2850	5.8	205	14.0	0.55	61	1.08
		60	31	0.13	0.28	3400	6.8	241	18.5	0.73	66	