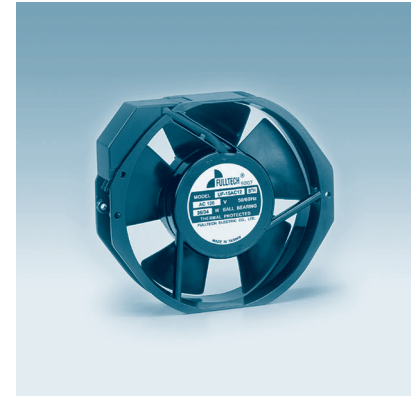
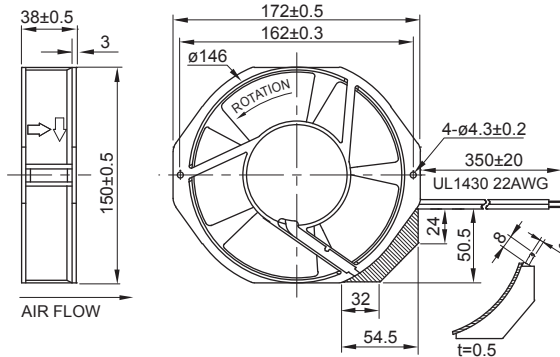
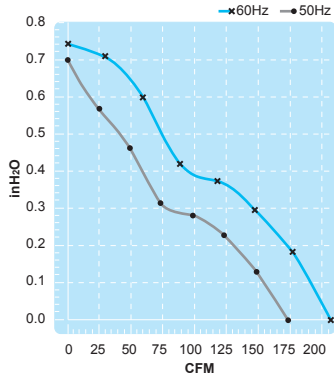


UF15A(C) Series

Size : 172 x 150 x 38
Unit : mm



Terminal or Lead Wire Type

Thermally-Protected

Spec. Model	Rated Voltage V	Frequency Hz	Input Power W	Rated Current A	Locked Current A	Speed RPM	Maximum Air Flow m³/min.	Maximum Air Flow CFM	Maximum Pressure mmH ₂ O	Maximum Pressure InchH ₂ O	Noise dB	Weight kg
UF15AC10-H	100	50	27	0.29	0.47	2850	5.0	177	17.0	0.67	54	0.72
		60	25	0.25	0.47	3400	6.0	212	19.0	0.75	58	
UF15AC11-H	115	50	29	0.25	0.36	2850	5.0	177	17.0	0.67	54	0.72
		60	28	0.23	0.38	3400	6.0	212	19.0	0.75	58	
UF15AC20-H	200	50	27	0.13	0.21	2850	5.0	177	17.0	0.67	54	0.72
		60	25	0.12	0.22	3400	6.0	212	19.0	0.75	58	
UF15AC23-H	230	50	27	0.11	0.18	2850	5.0	177	17.0	0.67	54	0.72
		60	26	0.11	0.18	3400	6.0	212	19.0	0.75	58	
UF15AC11-L	115	50	29	0.17	0.20	1400	2.4	85	4.50	0.18	38	0.72
		60	28	0.15	0.20	1700	2.9	103	6.50	0.26	44	
UF15AC23-L	230	50	27	0.08	0.10	1400	2.4	85	4.50	0.18	38	0.72
		60	26	0.07	0.10	1700	2.9	103	6.50	0.26	44	