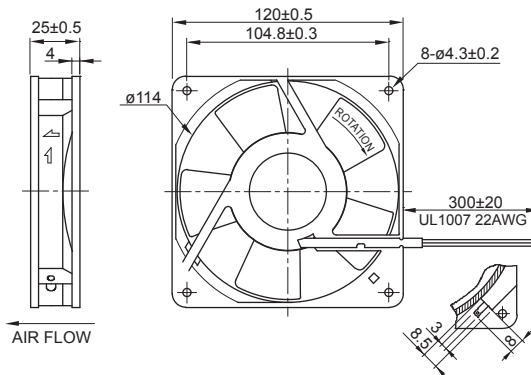
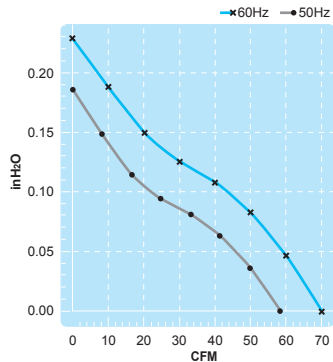


Size : 120 x 120 x 25

Unit : mm

\* Reverse Air Flow



## Terminal or Lead Wire Type

## Impedance-Protected



Spec. / Model	Rated Voltage V	Frequency Hz	Input Power W	Rated Current A	Locked Current A	Speed RPM	Maximum Air Flow m <sup>3</sup> /min.	Maximum Air Flow CFM	Maximum Pressure mmH <sub>2</sub> O	Maximum Pressure InchH <sub>2</sub> O	Noise dB	Weight kg
UF12BR11-H	115	50	14	0.15	0.16	2400	1.7	60	4.5	0.18	38	0.33
		60	11	0.12	0.15	2900	2.0	70	5.4	0.21	42	
UF12BR23-H	230	50	16	0.08	0.09	2400	1.7	60	4.5	0.18	38	0.33
		60	14	0.07	0.08	2900	2.0	70	5.4	0.21	42	