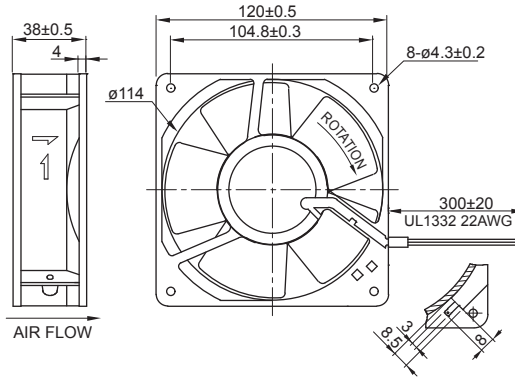
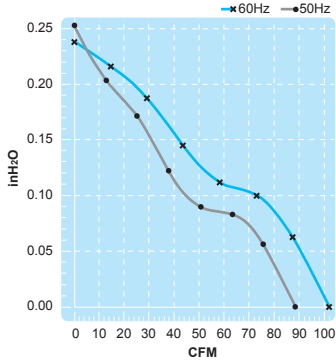


UF12A(M) Series

Size : 120 x 120 x 38

Unit : mm

+ Metal Impeller



Terminal or Lead Wire Type

Impedance-Protected



Spec.	Rated Voltage	Frequency	Input Power	Rated Current	Locked Current	Speed	Maximum Air Flow	Maximum Air Flow	Maximum Pressure	Maximum Pressure	Noise	Weight
Model	V	Hz	W	A	A	RPM	m ³ /min.	CFM	mmH ₂ O	InchH ₂ O	dB	kg
UF12AM10-H	100	50	18	0.26	0.34	2700	2.5	89	6.5	0.26	42	0.55
		60	17	0.23	0.30	3100	2.9	103	6.0	0.24	46	
UF12AM11-H	115	50	15	0.17	0.25	2700	2.5	89	6.5	0.26	42	0.55
		60	13	0.15	0.22	3100	2.9	103	6.0	0.24	46	
UF12AM20-H	200	50	18	0.13	0.17	2700	2.5	89	6.5	0.26	42	0.55
		60	17	0.11	0.15	3100	2.9	103	6.0	0.24	46	
UF12AM23-H	230	50	17	0.10	0.13	2700	2.5	89	6.5	0.26	42	0.55
		60	15	0.09	0.12	3100	2.9	103	6.0	0.24	46	