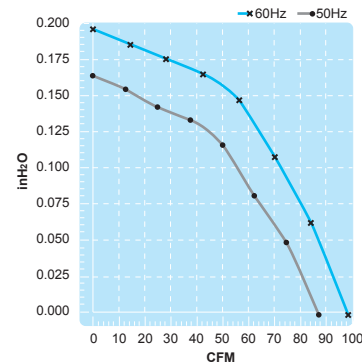
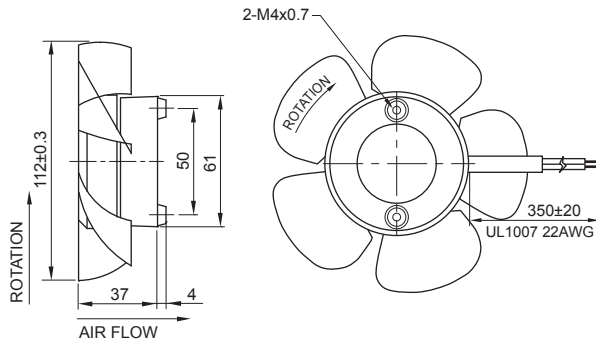
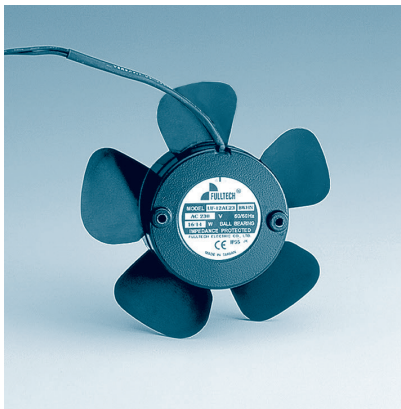


UF12A(E) Series

Size : $\varnothing 112 \times 41$
Unit : mm



Impedance-Protected

Lead Wire Type



Spec. / Model	Rated Voltage V	Frequency Hz	Input Power W	Rated Current A	Locked Current A	Speed RPM	Maximum Air Flow m ³ /min.	Maximum Air Flow CFM	Maximum Pressure mmH ₂ O	Maximum Pressure InchH ₂ O	Noise dB	Weight kg
UF12AE11-H	115	50	15	0.21	0.28	2700	2.4	85	4.0	0.15	38	0.37
		60	13	0.17	0.24	3000	2.7	95	4.8	0.18	42	
UF12AE23-H	230	50	16	0.11	0.14	2700	2.4	85	4.0	0.15	38	0.37
		60	14	0.09	0.12	3000	2.7	95	4.8	0.18	42	