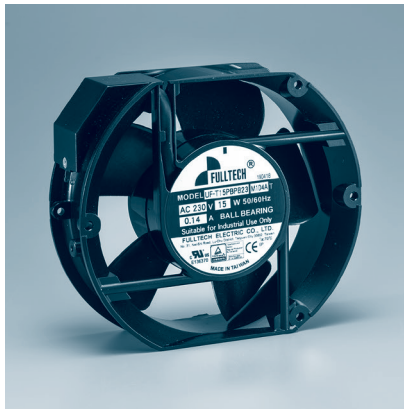


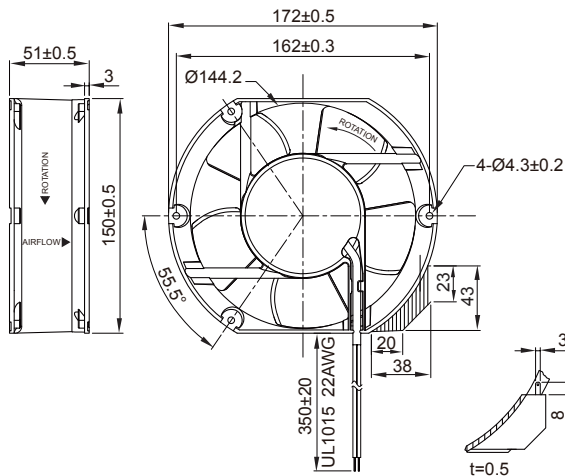
UFT15PBPB Series

EC FAN

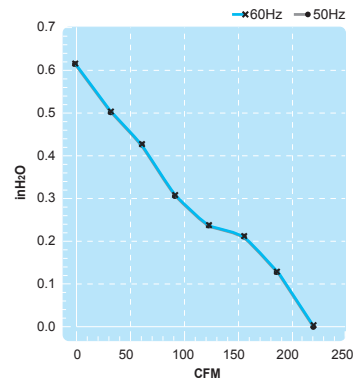
Size : 172 x 150 x 51
Unit : mm



Electronically-Protected



(Axial Fan)



Terminal or Lead Wire Type



IP68

Spec.	Rated Voltage	Frequency	Input Power	Rated Current	Locked Current	Speed	Maximum Air Flow	Maximum Air Flow	Maximum Pressure	Maximum Pressure	Noise	Weight
Model	V	Hz	W	A	A	RPM	m ³ /min.	CFM	mmH ₂ O	InchH ₂ O	dB	kg
UFT15PBPB11M1D4A	115	50/60	15	0.23	0.25	3000	6.2	220	15.7	0.62	57	0.7
UFT15PBPB23M1D4A	230	50/60	15	0.14	0.47	3000	6.2	220	15.7	0.62	57	0.7