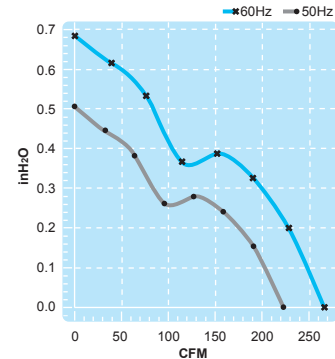
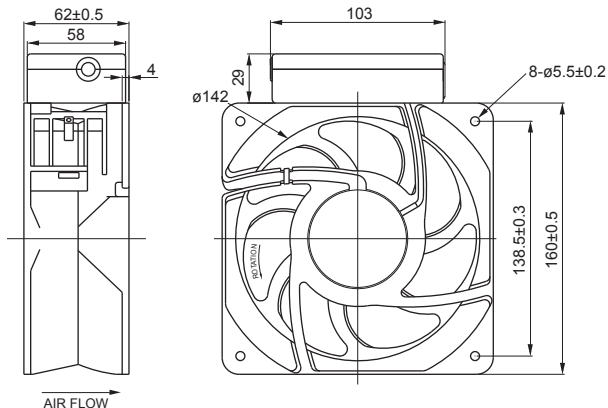


UF16F(C) Series

Size : 160 x 160 x 62

Unit : mm



Thermally-Protected

Terminal Box Type



Spec. / Model	Rated Voltage V	Frequency Hz	Input Power W	Rated Current A	Locked Current A	Speed RPM	Maximum Air Flow m ³ /min.	Maximum Air Flow CFM	Maximum Pressure mmH ₂ O	Maximum Pressure InchH ₂ O	Noise dB	Weight kg
UF16FC10-H	100	50	46	0.54	0.88	2850	6.3	222	13.5	0.53	52	1.33
		60	41	0.44	0.92	3400	7.5	265	18.2	0.72	56	
UF16FC11-H	115	50	46	0.43	0.80	2850	6.3	222	13.5	0.53	52	1.33
		60	41	0.34	0.79	3400	7.5	265	18.2	0.72	56	
UF16FC20-H	200	50	46	0.27	0.45	2850	6.3	222	13.5	0.53	52	1.33
		60	41	0.22	0.48	3400	7.5	265	18.2	0.72	56	
UF16FC23-H	230	50	46	0.22	0.20	2850	6.3	222	13.5	0.53	52	1.33
		60	41	0.17	0.41	3400	7.5	265	18.2	0.72	56	