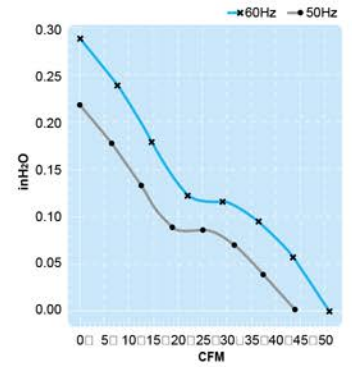
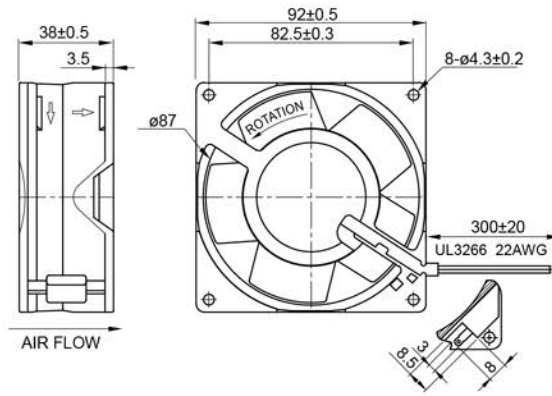


# UF92A(M) Series

Size: 92 x 92 x 38

Unit: mm

\* Metal Impeller



Impedance Protection

Terminal or Lead Wire Type



Spec. Model	Rated Voltage V	Frequency Hz	Input Power W	Rated Current A	Locked Current A	Speed RPM	Maximum Air Flow m <sup>3</sup> /min.	Maximum Air Flow CFM	Maximum Pressure mmH <sub>2</sub> O	Maximum Pressure InchH <sub>2</sub> O	Noise dB	Weight kg
UF92AM10-H	100V	50	12	0.16	0.20	2700	1.25	44	6.0	0.24	37	0.43
		60	11	0.15	0.19	3200	1.45	51	7.5	0.30	42	
UF92AM11-H	115V	50	12	0.14	0.19	2700	1.25	44	6.0	0.24	37	0.43
		60	11	0.12	0.17	3200	1.45	51	7.5	0.30	42	
UF92AM20-H	200V	50	12	0.08	0.10	2700	1.25	44	6.0	0.24	37	0.43
		60	11	0.07	0.09	3200	1.45	51	7.5	0.30	42	
UF92AM23-H	230V	50	12	0.07	0.09	2700	1.25	44	6.0	0.24	37	0.43
		60	11	0.06	0.08	3200	1.45	51	7.5	0.30	42	