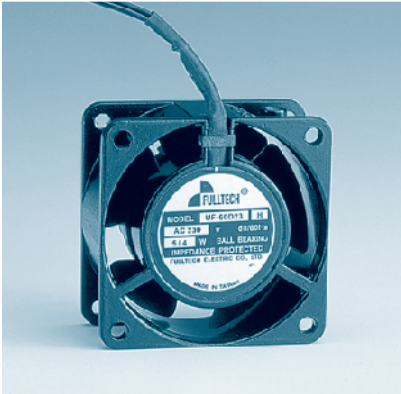
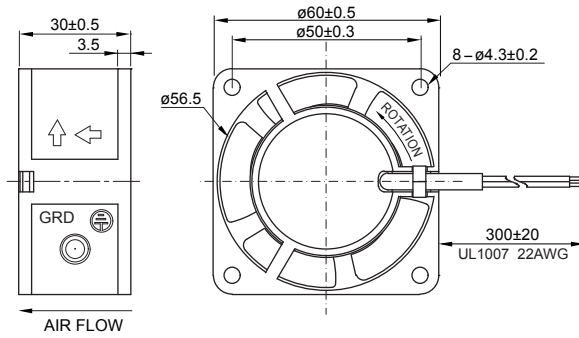


UF60D Series

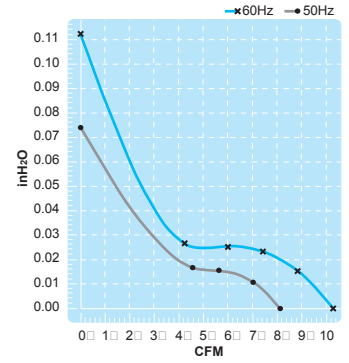
Size: 60 x 60 x 30
Unit : mm



Impedance Protection



Lead Wire Type



Spec. Model	Rated Voltage V	Frequency Hz	Input Power W	Rated Current A	Locked Current A	Speed RPM	Maximum Air Flow m ³ /min.	Maximum Air Flow CFM	Maximum Pressure mmH ₂ O	Maximum Pressure InchH ₂ O	Noise dB	Weight kg
UF60D10-H	100V	50 60	5 4	0.050 0.040	0.055 0.045	2400 3000	0.23 0.29	8.10 10.24	1.8 2.8	0.07 0.11	27 28	0.14
UF60D11-H	115V	50 60	5 4	0.042 0.035	0.042 0.040	2400 3000	0.23 0.29	8.10 10.24	1.8 2.8	0.07 0.11	27 28	0.14
UF60D20-H	200V	50 60	5 4	0.025 0.020	0.027 0.022	2400 3000	0.23 0.29	8.10 10.24	1.8 2.8	0.07 0.11	27 28	0.14
UF60D23-H	230V	50 60	5 4	0.022 0.016	0.022 0.020	2400 3000	0.23 0.29	8.10 10.24	1.8 2.8	0.07 0.11	27 28	0.14