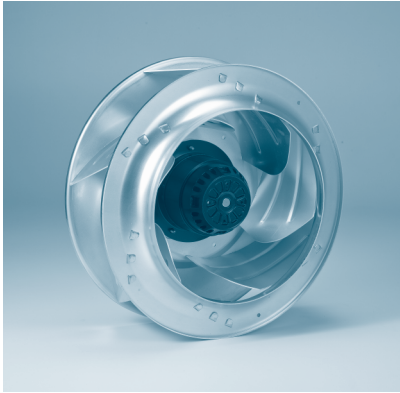
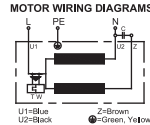
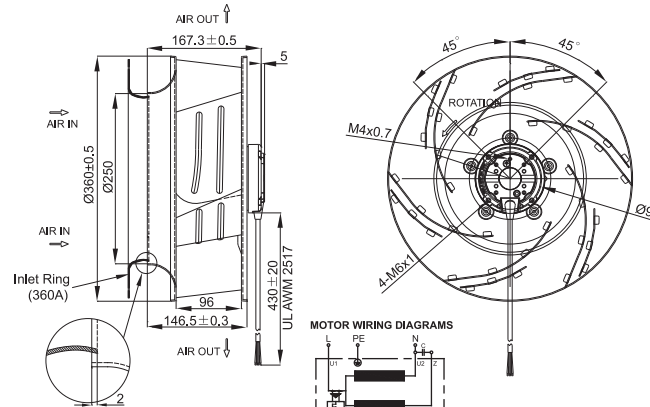


UF360AAA Series

Size : $\varnothing 360 \times 167.3$
Unit : mm

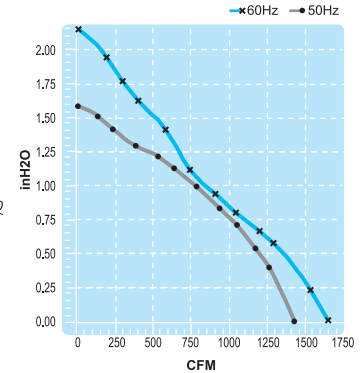


Thermal Protection



Lead Wire Type

(Centrifugal Fan)



Spec. / Model	Rated Voltage V	Frequency Hz	Input Power W	Rated Current A	Locked Current A	Speed RPM	Maximum Air Flow m ³ /min.	Maximum Air Flow CFM	Maximum Pressure mmH ₂ O	Maximum Pressure InchH ₂ O	Capacitor μ F/DB	Noise dB	Weight kg
UF360AAA11H1C4A	115V	50	190	1.70	4.24	1400	40.5	1430	40	1.6	24/250	66	5.1
		60	270	2.30	4.00	1600	46.5	1645	55	2.2		70	
UF360AAA23H1C4A	230V	50	190	0.90	2.12	1400	40.5	1430	40	1.6	6/450	66	5.1
		60	265	1.20	2.00	1600	46.5	1645	55	2.2		70	