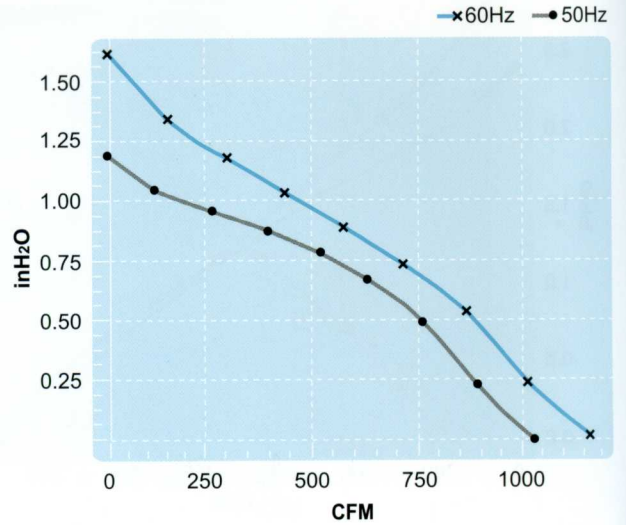
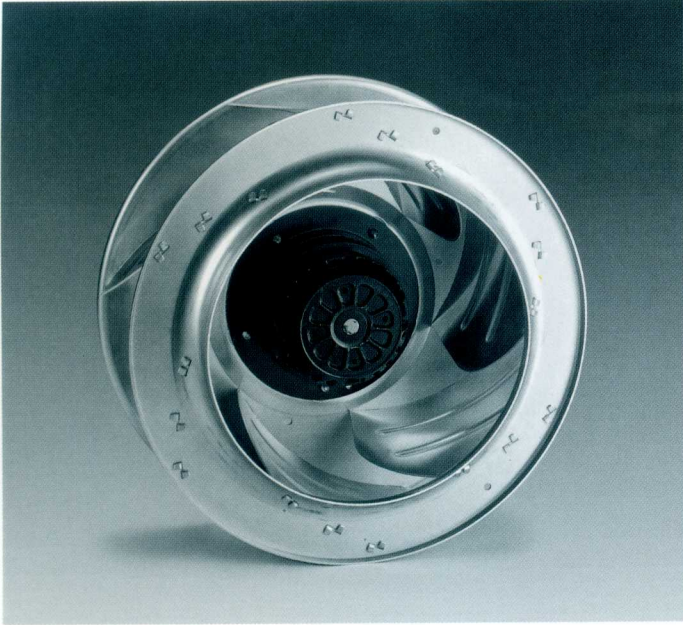


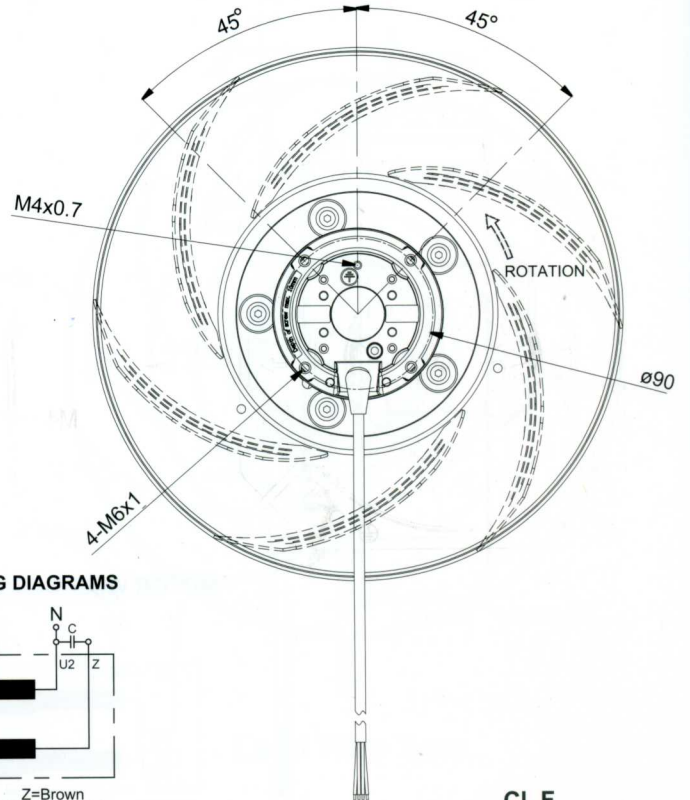
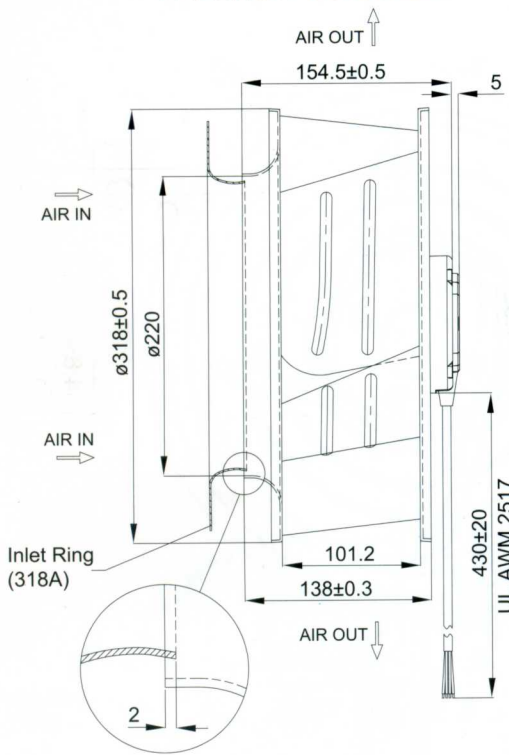
UF318AAA Series

Impeller: Aluminum

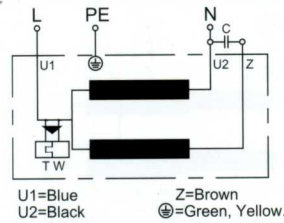
(Centrifugal Fan)



Thermal Protection



MOTOR WIRING DIAGRAMS



Lead Wire Type



Spec.	Rated Voltage	Frequency	Input Power	Rated Current	Locked Current	Speed	Maximum Air Flow	Maximum Air Flow	Maximum Pressure	Maximum Pressure	Capacitor	Noise	Weight
Model	V	Hz	W	A	A	RPM	m ³ /min.	CFM	mmH ₂ O	InchH ₂ O	uF/VDB	dB	kg
UF318AAA11H1C4A	115V	50	115	1.10	2.60	1390	28.7	1015	30.5	1.2	16/250	63	3.9
		60	155	1.40	2.40	1580	33.0	1165	40.6	1.6		66	
UF318AAA23H1C4A	230V	50	115	0.60	1.43	1390	28.7	1015	30.5	1.2	4/450	63	3.9
		60	155	0.68	1.31	1580	33.0	1165	40.6	1.6		66	