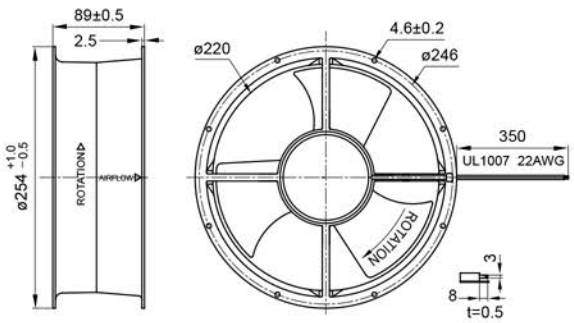
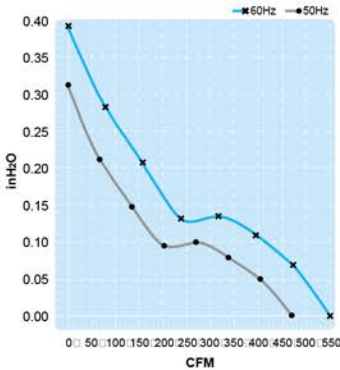


UF25G(C) Series

Size: 254 x 254 x 89
Unit: mm



Terminal or Lead Wire Type

Thermal Protection

Spec. Model	Rated Voltage V	Frequency Hz	Input Power W	Rated Current A	Locked Current A	Speed RPM	Maximum Air Flow m ³ /min.	Maximum Air Flow CFM	Maximum Pressure mmH ₂ O	Maximum Pressure InchH ₂ O	Noise dB	Weight kg
UF25GC10-H	100V	50 60	36 36	0.45 0.40	0.74 0.72	1400 1650	13.0 15.5	460 550	8.0 10.0	0.32 0.40	52 55	1.9
UF25GC11-H	115V	50 60	31 33	0.30 0.29	0.53 0.51	1400 1650	13.0 15.5	460 550	8.0 10.0	0.32 0.40	52 55	1.9
UF25GC20-H	200V	50 60	36 36	0.22 0.19	0.35 0.34	1400 1650	13.0 15.5	460 550	8.0 10.0	0.32 0.40	52 55	1.9
UF25GC23-H	230V	50 60	31 33	0.14 0.14	0.26 0.25	1400 1650	13.0 15.5	460 550	8.0 10.0	0.32 0.40	52 55	1.9