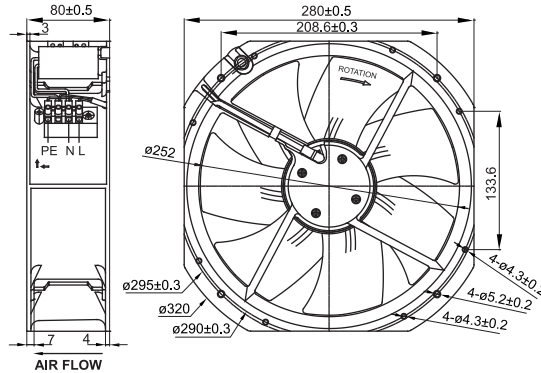
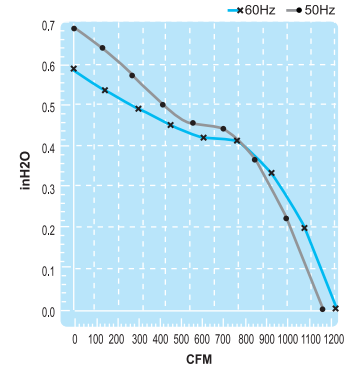


UF250BMA Series

Size : 280 x 280 x 80
Unit : mm



(Axial Fan)



Thermal Protection



Spec. / Model	Rated Voltage V	Frequency Hz	Input Power W	Rated Current A	Locked Current A	Speed RPM	Maximum Air Flow m ³ /min.	Maximum Air Flow CFM	Maximum Pressure mmH ₂ O	Maximum Pressure InchH ₂ O	Capacitor μF/VDB	Noise dB	Weight kg
UF250BMA11H1C2A	115V	50	120	1.50	1.90	2400	29.8	1050	17.8	0.70	12/250	70	2.8
		60	157	1.20	1.90	2600	31.2	1100	15.0	0.59		71	
UF250BMA23H1C2A	230V	50	119	0.52	0.83	2400	29.8	1050	17.8	0.70	4/450	70	2.8
		60	158	0.71	0.87	2600	31.2	1100	15.0	0.59		71	