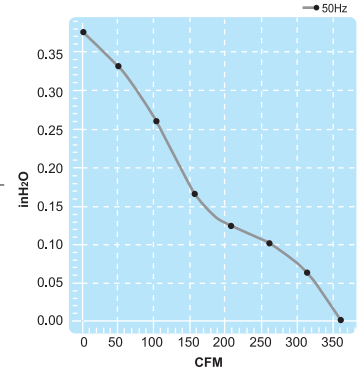
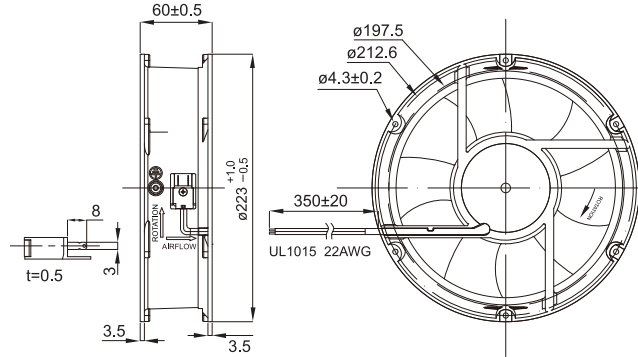


UF22F Series

Size : $\varnothing 223 \times 60$

Unit : mm



Thermal Protection

Terminal or Lead Wire Type



| Spec. Model | Rated Voltage V | Frequency Hz | Input Power W | Rated Current A | Locked Current A | Speed RPM | Maximum Air Flow m ³ /min. | Maximum Air Flow CFM | Maximum Pressure mmH ₂ O | Maximum Pressure InchH ₂ O | Noise dB | Weight kg |
|----------------|--------------------|-----------------|------------------|--------------------|---------------------|--------------|--|-------------------------|--|--|-------------|--------------|
| UF22F23-H | 230V | 50 | 47 | 0.35 | 0.56 | 2700 | 11 | 400 | 10.9 | 0.43 | 57 | 1.5 |