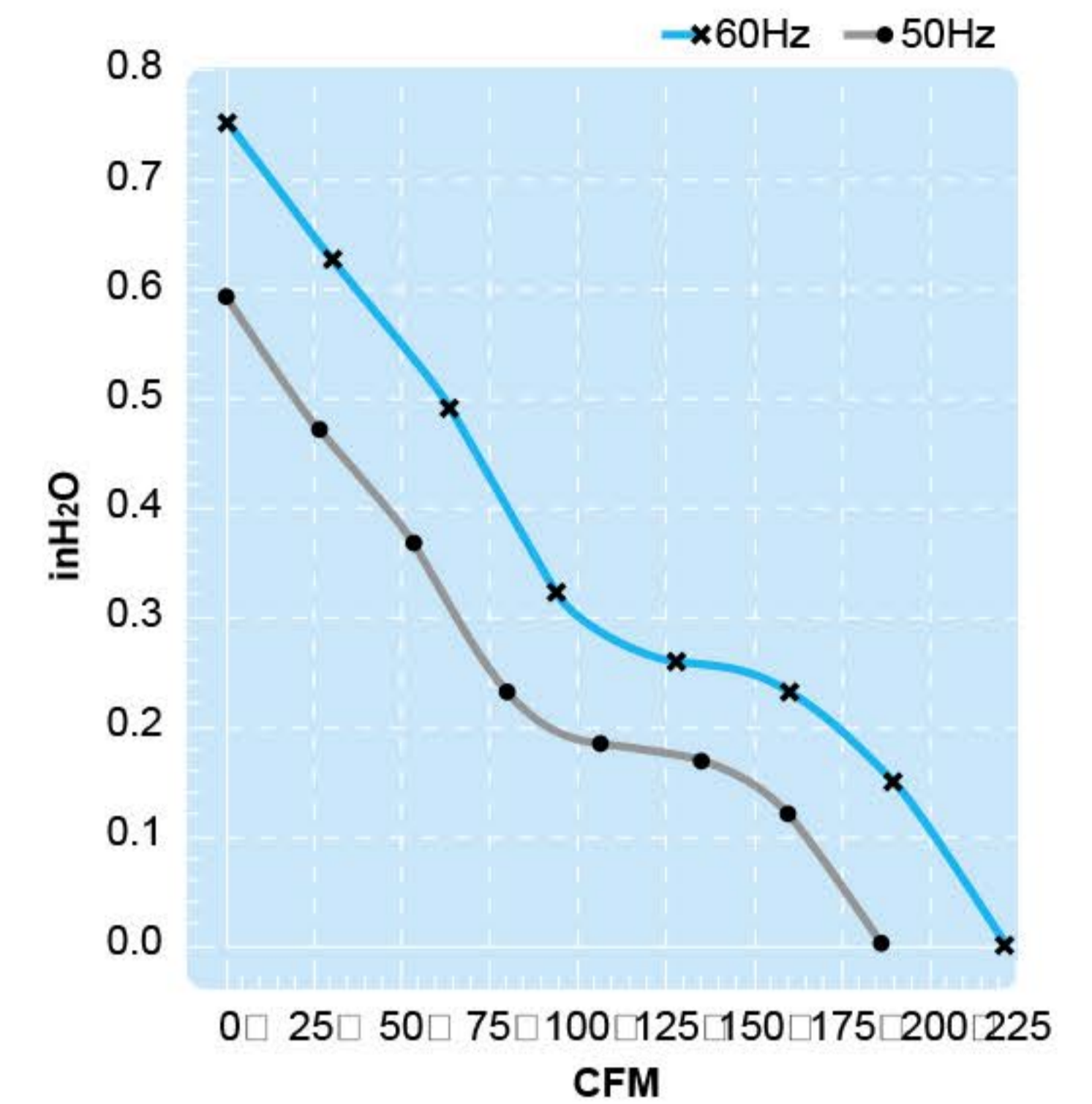
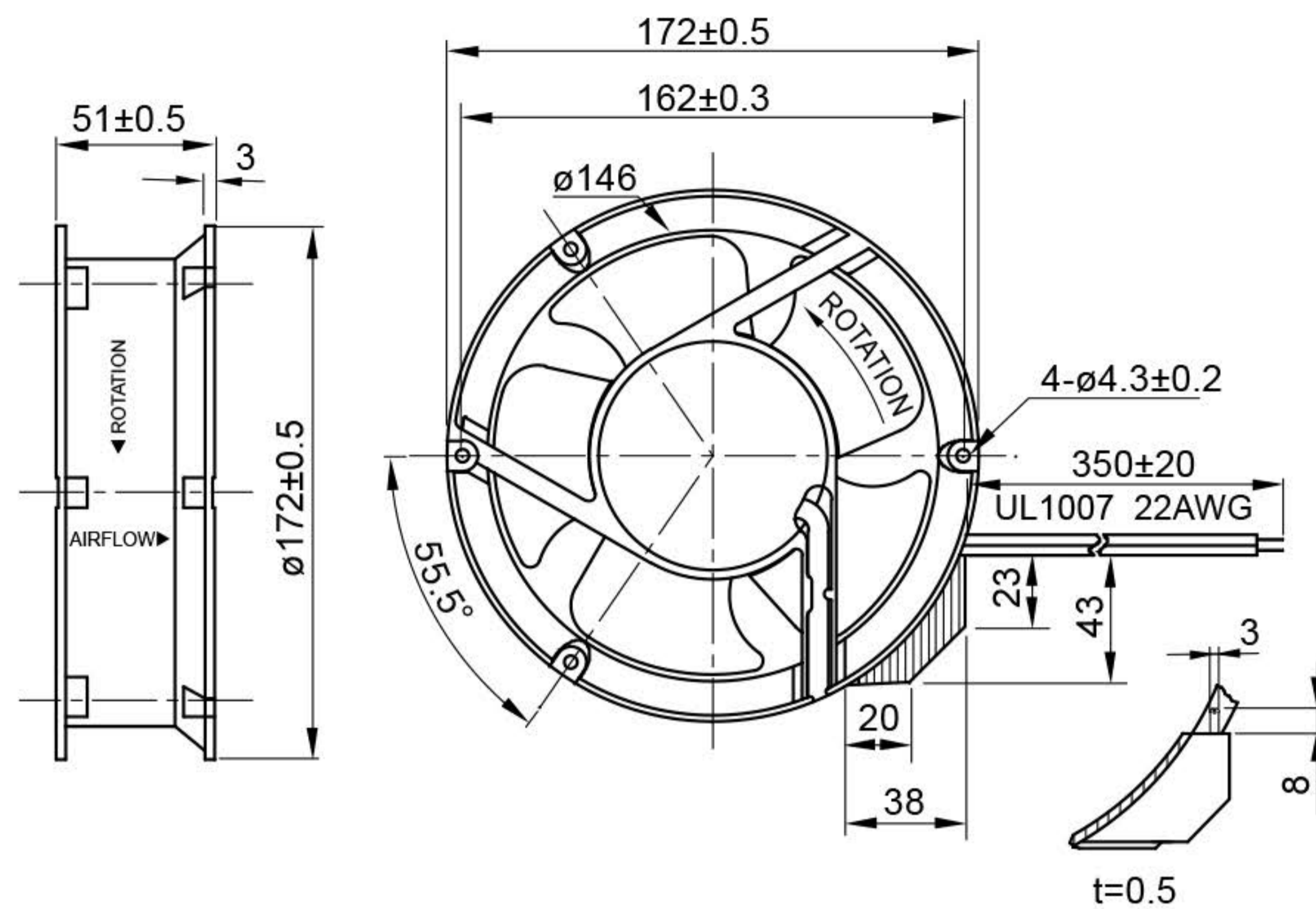
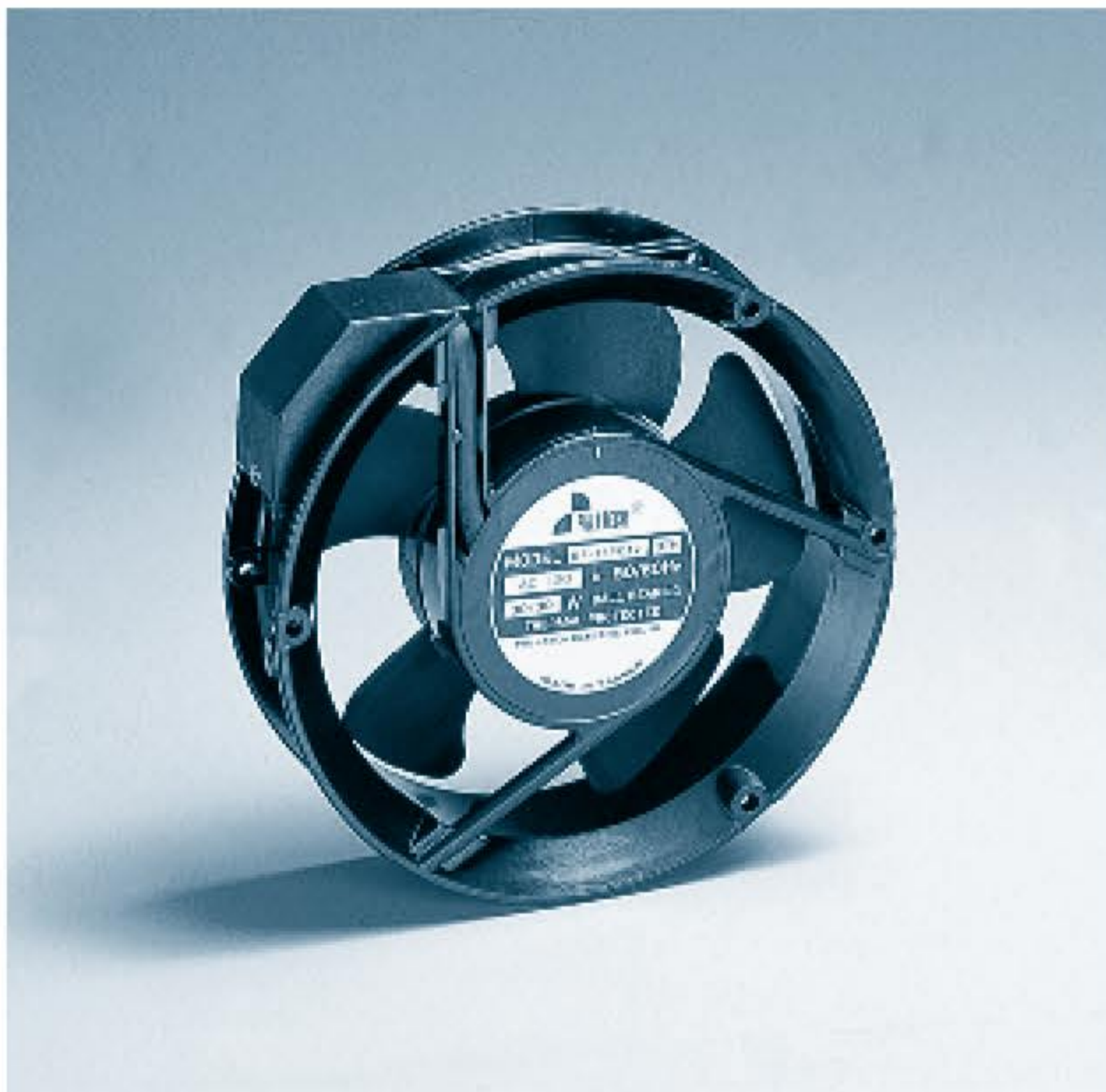


UF17P(C) Series

Size □ 172 x 172 x 51
Unit : mm



Thermal Protection

Terminal or Lead Wire Type



Spec. Model	Rated Voltage V	Frequency Hz	Input Power W	Rated Current A	Locked Current A	Speed RPM	Maximum Air Flow m ³ /min.	Maximum Air Flow CFM	Maximum Pressure mmH ₂ O	Maximum Pressure InchH ₂ O	Noise dB	Weight kg
UF17PC10-H	100V	50 60	30 30	0.33 0.29	0.50 0.52	2850 3400	5.8 6.4	205 226	16 20	0.63 0.79	50 55	0.9
UF17PC11-H	115V	50 60	31 31	0.26 0.25	0.41 0.43	2850 3400	5.8 6.4	205 226	16 20	0.63 0.79	50 55	0.9
UF17PC20-H	200V	50 60	29 29	0.15 0.14	0.23 0.25	2850 3400	5.8 6.4	205 226	16 20	0.63 0.79	50 55	0.9
UF17PC23-H	230V	50 60	29 29	0.12 0.12	0.19 0.19	2850 3400	5.8 6.4	205 226	16 20	0.63 0.79	50 55	0.9
UF17PC11-L	115V	50 60	31 31	0.17 0.15	0.21 0.20	1400 1700	2.5 3.0	88 106	3.8 5.5	0.15 0.22	31 37	0.9
UF17PC23-L	230V	50 60	29 29	0.08 0.07	0.09 0.09	1400 1700	2.5 3.0	88 106	3.8 5.5	0.15 0.22	31 37	0.9