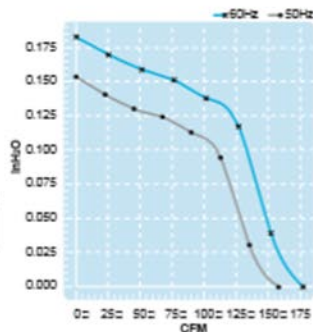
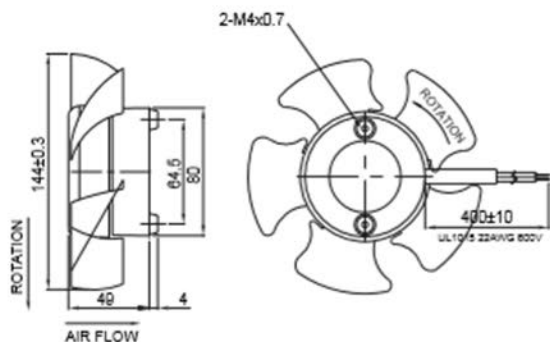


UF15P(E) Series



Impedance Protection

Lead Wire Type



Spec. Model	Rated Voltage V	Frequency Hz	Input Power W	Rated Current A	Locked Current A	Speed RPM	Maximum Air Flow m ³ /min	Maximum Air Flow CFM	Maximum Pressure mmH ₂ O	Maximum Pressure InchH ₂ O	Noise dB	Weight kg
UF15PE11	115V	50	36	0.51	0.62	2650	4.53	160	4.06	0.16	48	0.78
		60	33	0.42	0.54	2950	5.10	180	4.57	0.18	53	
UF15PE23	230V	50	36	0.24	0.29	2650	4.53	160	4.06	0.16	48	0.78
		60	33	0.20	0.25	2950	5.10	180	4.57	0.18	53	