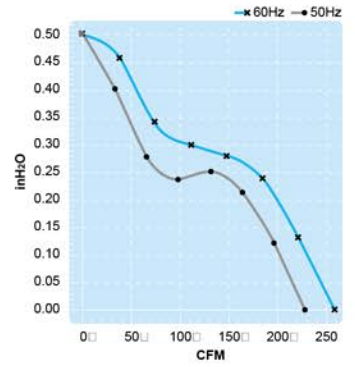
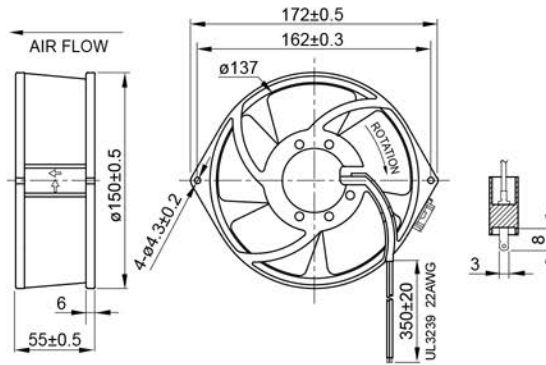


UF15K(MR) Series

Size: 172 x 150 x 55

Unit : mm

☐ Metal Impeller



Thermal Protection

Terminal or Lead Wire Type



Spec.	Rated Voltage	Frequency	Input Power	Rated Current	Locked Current	Speed	Maximum Air Flow	Maximum Air Flow	Maximum Pressure	Maximum Pressure	Noise	Weight
Model	V	Hz	W	A	A	RPM	m ³ /min.	CFM	mmH ₂ O	InchH ₂ O	dB	kg
UF15KMR10-H	100V	50	43	0.60	1.03	2750	6.4	225	12.5	0.50	58	1.10
		60	43	0.57	0.86	3150	7.2	255	12.5	0.50	61	
UF15KMR11-H	115V	50	45	0.54	0.90	2750	6.4	225	12.5	0.50	58	1.10
		60	45	0.51	0.80	3150	7.2	255	12.5	0.50	61	
UF15KMR20-H	200V	50	43	0.30	0.50	2750	6.4	225	12.5	0.50	58	1.10
		60	43	0.28	0.43	3150	7.2	255	12.5	0.50	61	
UF15KMR23-H	230V	50	45	0.27	0.44	2750	6.4	225	12.5	0.50	58	1.10
		60	45	0.25	0.38	3150	7.2	255	12.5	0.50	61	