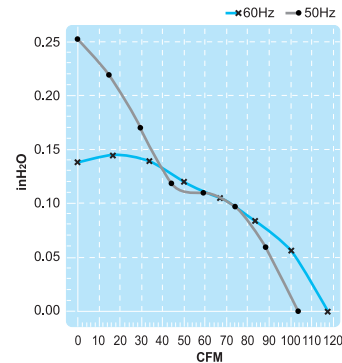
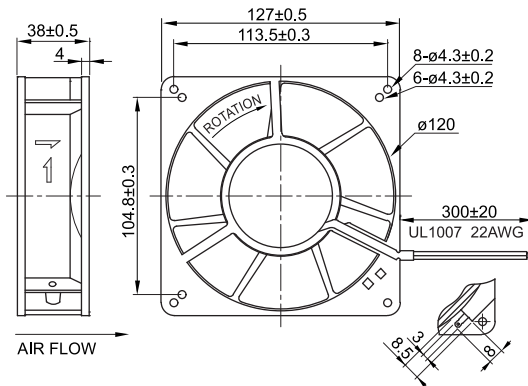


UF13A Series

Size : 127 x 127 x 38

Unit : mm



Impedance Protection

Terminal or Lead Wire Type



Spec. / Model	Rated Voltage V	Frequency Hz	Input Power W	Rated Current A	Locked Current A	Speed RPM	Maximum Air Flow m ³ /min.	Maximum Air Flow CFM	Maximum Pressure mmH ₂ O	Maximum Pressure InchH ₂ O	Noise dB	Weight kg
UF13A10-H	100V	50	15	0.24	0.33	2700	2.9	103	7.3	0.29	46	0.55
		60	13	0.20	0.27	3000	3.4	120	2.8	0.11	50	
UF13A11-H	115V	50	14	0.20	0.26	2700	2.9	103	7.3	0.29	46	0.55
		60	12	0.16	0.23	3000	3.4	120	2.8	0.11	50	
UF13A20-H	200V	50	15	0.12	0.17	2700	2.9	103	7.3	0.29	46	0.55
		60	13	0.10	0.14	3000	3.4	120	2.8	0.11	50	
UF13A23-H	230V	50	17	0.10	0.13	2700	2.9	103	7.3	0.29	46	0.55
		60	15	0.09	0.11	3000	3.4	120	2.8	0.11	50	