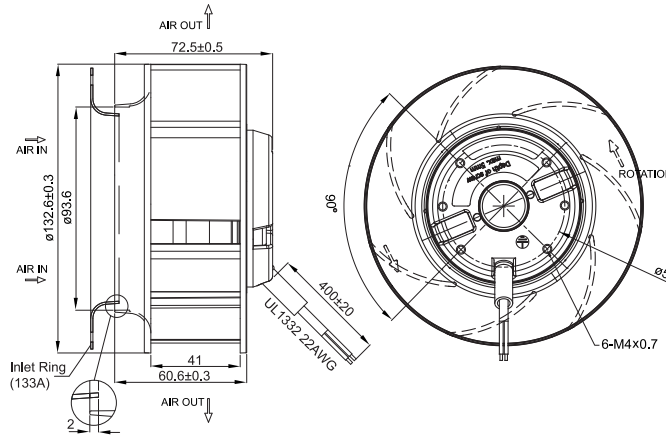
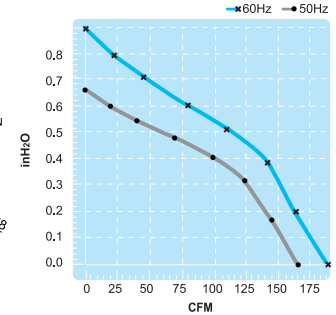


# UF133(72)APA Series

Size :  $\varnothing 132.6 \times 72.5$   
Unit : mm



(Centrifugal Fan)



Thermal Protection

Lead Wire Type



Spec. / Model	Rated Voltage (V)	Frequency (Hz)	Input Power (W)	Rated Current (A)	Locked Current (A)	Speed (RPM)	Maximum Air Flow (m <sup>3</sup> /min.)	Maximum Air Flow (CFM)	Maximum Pressure (mmH <sub>2</sub> O)	Maximum Pressure (InchH <sub>2</sub> O)	Capacitor (uF/VDB)	Noise (dB)	Weight (kg)
UF133(72)APA 11H1S2A	115V	50	42	0.50	0.83	2780	4.66	165	16.6	0.65	---	50	0.9
		60	41	0.43	0.72	3200	5.33	188	22.4	0.88	---	60	
UF133(72)APA 23H1S2A	230V	50	40	0.24	0.39	2780	4.66	165	16.6	0.65	---	50	0.9
		60	39	0.21	0.34	3200	5.33	188	22.4	0.88	---	60	