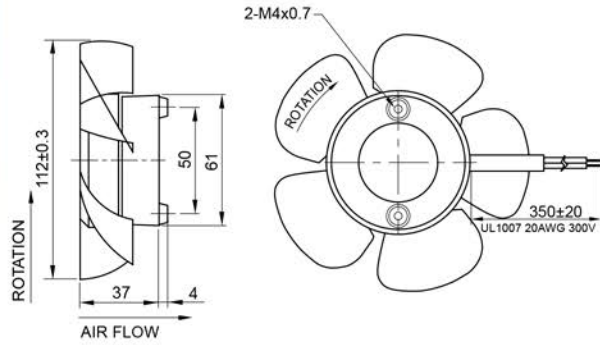


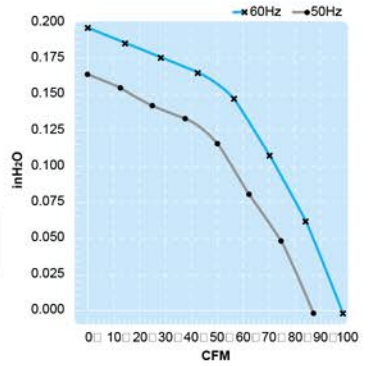
# UF12A(E) Series



Impedance Protection



Lead Wire Type



Spec. Model	Rated Voltage V	Frequency Hz	Input Power W	Rated Current A	Locked Current A	Speed RPM	Maximum Air Flow m <sup>3</sup> /min.	Maximum Air Flow CFM	Maximum Pressure mmH <sub>2</sub> O	Maximum Pressure InchH <sub>2</sub> O	Noise dB	Weight kg
UF12AE11	115V	50	15	0.21	0.28	2700	2.4	85	4.0	0.15	38	0.37
		60	13	0.17	0.24	3000	2.7	95	4.8	0.18	42	
UF12AE23	230V	50	16	0.11	0.14	2700	2.4	85	4.0	0.15	38	0.37
		60	14	0.09	0.12	3000	2.7	95	4.8	0.18	42	