



• DC • SD4020PT



40x40x20mm / 1.6x0.8inch

9.7~4.8 CFM

Model No	Rated Volt	Voltage Range	Input Power	Rated Current	Ref. Speed	Max. Airflow		Max. Static Pressure		Noise Level	PQ
	VDC	VDC	Watt	A	RPM	CFM	m3/min	Inch/H2O	mm	db(A)	Curves
SD4020PT-05H	5	4~7	1.15	0.23	6500	7.6	0.2	0.17	4.32	30	H
SD4020PT-05M	5	4~7	0.9	0.18	5200	6.5	0.2	0.14	3.56	24	M
SD4020PT-05L	5	4~7	0.75	0.15	4500	4.8	0.1	0.12	3.05	20	L
SD4020PT-12H (HH)	12	8~13.8	1.2	0.10 (-0.21)	9000	9.7	0.3	0.38	9.65	33	HH
SD4020PT-12H	12	8~13.8	1.2	0.10	6500	7.6	0.2	0.17	4.32	30	H
SD4020PT-12M	12	8~13.8	0.96	0.08	5200	6.5	0.2	0.14	3.56	24	M
SD4020PT-12L	12	8~14	0.72	0.06	4500	4.8	0.1	0.12	3.05	20	L
SD4020PT-24H (HH)	24	12~27.6	1.68	0.07 (-0.09)	8200	8.8	0.2	0.32	8.13	32	HH
SD4020PT-24H	24	12~27.6	1.68	0.07	6500	7.6	0.2	0.17	4.32	30	H
SD4020PT-24M	24	12~28	1.2	0.05	5200	6.5	0.2	0.14	3.56	24	M
SD4020PT-24L	24	12~28	0.72	0.03	4500	4.8	0.1	0.12	3.05	20	L

- ** = "WB" for wire lead type Ball bearing, or "TB" for terminal type Ball bearing
- Sinwan reserves the right to change data and improve electrical & mechanical design without notice, data tolerance +-10%

Motor

Motor Type: Brushless DC Motor, auto cutoff auto restart optional only

Burnout Protection: Impedance protected

IP Protection: -

Mechanical

Frame: Glass fiber reinforced thermoplastic, rated UL94V-0(PT)

Impeller: 5 blades, glass fiber reinforced plastic, rated UL94V-0

Bearing: Two ball bearings

Rotation: CCW seen on rotor

Connection: Wire lead or terminal flat pin connecting

Weight: 30 g (0.066 Lbs)

Electronical

Dielectric Strength: 500 VAC/min. Max leakage 500mA

Speed Control:

Signal Output: Optional: R/D alarm output, tachometer output

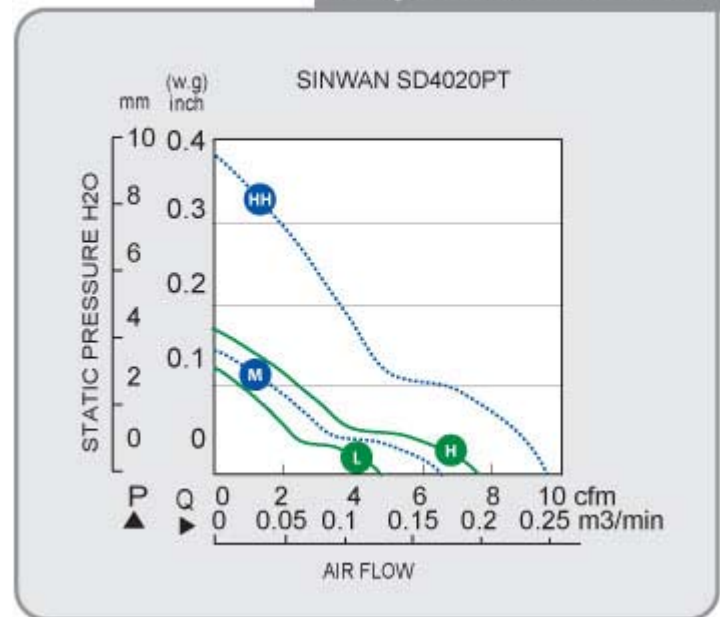
Environment

Operating Temp: Ambient non-condensing -15~ +65C

Storage Temp: -25C~ +80C (at 65%RH)

Life Expectancy: L10 65K hours at 45C, 50K hours at 60C

► Performance P-Q Curves



Nomenclature

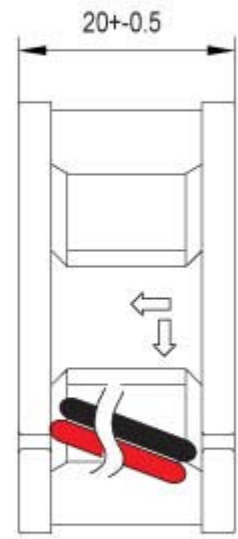
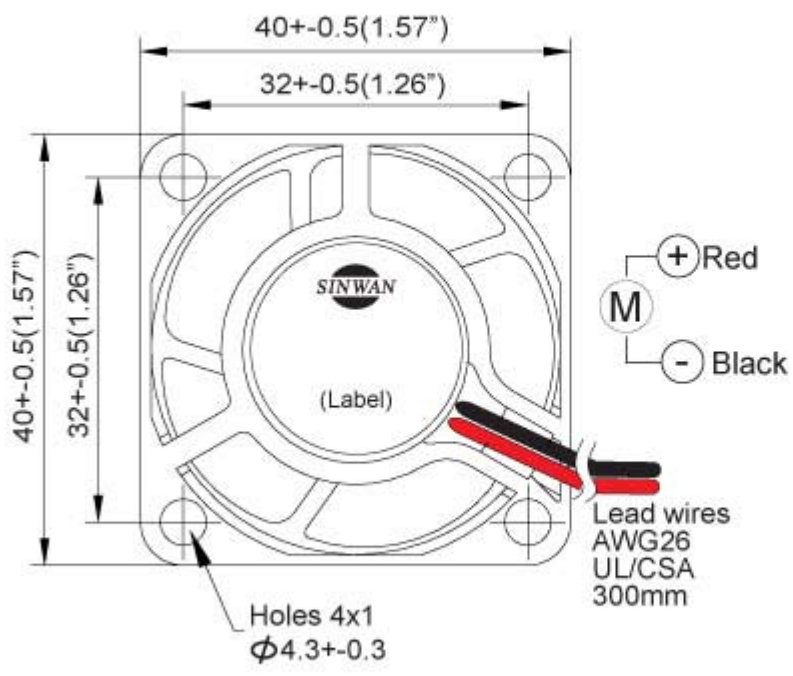


R/D Alarm



F/G Tach

▶ Outline Dimensions



Relevant products



Metal Fan Guard
G40-2



Plastic Fan Guard
G40P



Plastic Fan Filter
GRM40-30, GRM40-45

