



• DC • SD1225PT



# 120x120x25.5mm / 4.7x1inch

## 86~45 CFM

Model No	Rated Volt	Voltage Range	Input Power	Rated Current	Ref. Speed	Max. Airflow		Max. Static Pressure		Noise Level	PQ
	VDC	VDC	Watt	A	RPM	CFM	m3/min	Inch/H2O	mm	db(A)	Curves
SD1225PT-12H	12	8~13.8	5.4	0.45	2900	86	2.4	0.24	6.1	42	H
SD1225PT-12M	12	8~13.8	4.0	0.35	2500	70	2	0.19	4.83	35	M
SD1225PT-12L	12	8~14	2.5	0.20	2000	45	1.3	0.15	3.81	25	L
SD1225PT-24H	24	14~26	5.5	0.23	2900	86	2.4	0.24	6.1	42	H
SD1225PT-24M	24	14~26	4.1	0.17	2500	70	2	0.19	4.83	35	M
SD1225PT-24L	24	14~27.6	2.4	0.10	2000	45	1.3	0.15	3.81	25	L
SD1225PT-48H	48	22~55	4.5	0.09	2900	86	2.4	0.24	6.1	42	H
SD1225PT-48M	48	22~55	3.5	0.07	2500	70	2	0.19	4.83	35	M
SD1225PT-48L	48	22~56	2.9	0.06	2000	45	1.3	0.15	3.81	25	L

- \*\* = "WB" for wire lead type Ball bearing, or "TB" for terminal type Ball bearing
- Sinwan reserves the right to change data and improve electrical & mechanical design without notice, data tolerance +-10%

### Motor

Motor Type: Brushless DC Motor, auto cutoff, auto restart  
 Burnout Protection: Elctronically protected, polarity protected  
 IP Protection: -

### Mechanical

Frame: Glass fiber reinforced thermoplastic, rated UL94V-0(PT)  
 Impeller: 5 blades, glass fiber reinforced plastic, rated UL94V-0  
 Bearing: Two ball bearings  
 Rotation: CCW seen on rotor  
 Connection: Wire lead or terminal flat pin connecting  
 Weight: 160 g (0.353 Lbs)

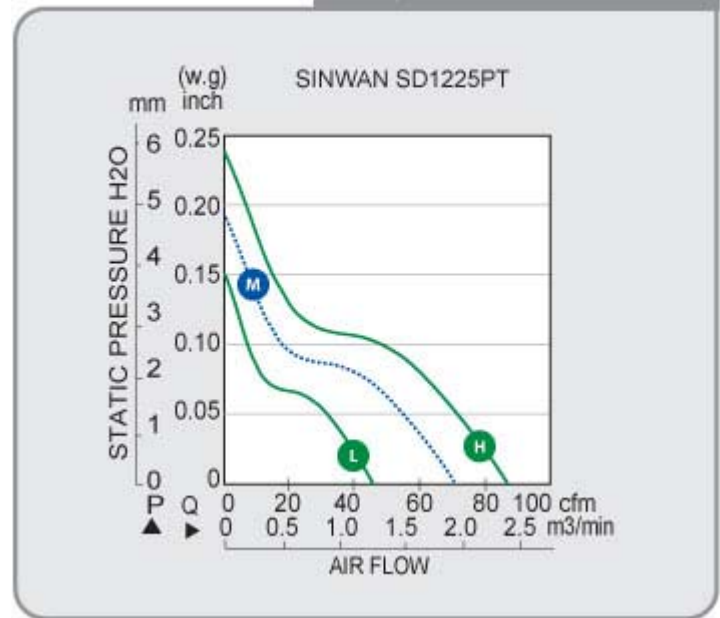
### Electronical

Dielectric Strength: 500 VAC/min. Max leakage 500mA  
 Speed Control: Optional: PWM, S/C NTC thermister  
 Signal Output: Optional: R/D alarm output, tachometer output

### Environment

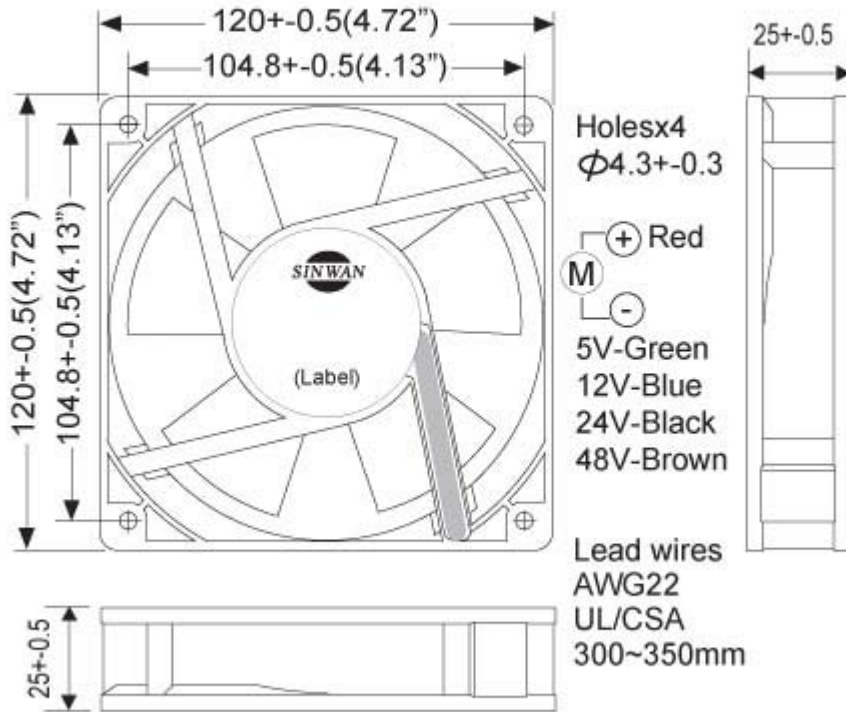
Operating Temp: Ambient non-condensing -15~ +65C  
 Storage Temp: -25C~ +80C (at 65%RH)  
 Life Expectancy: L10 60K hours at 35C, 50K hours at 55C

### Performance P-Q Curves



- Nomenclature
- R/D Alarm
- F/G Tach
- S/C Function
- PWM Function

▶ Outline Dimensions



Relevant products



Metal Fan Guard

G109-15A, G109-15B, G109-17



Plastic Fan Guard

G119P2, G119P4, G120P, G120P2, G120P25F, G120P4



Plastic Fan Filter

GRM120-30, GRM120-45



Metal Fan Screen

MF120S-30N



RoHS

SINWAN Email: info@sinwan.com.tw http://www.sinwan.com.tw